

Wiring Diagram

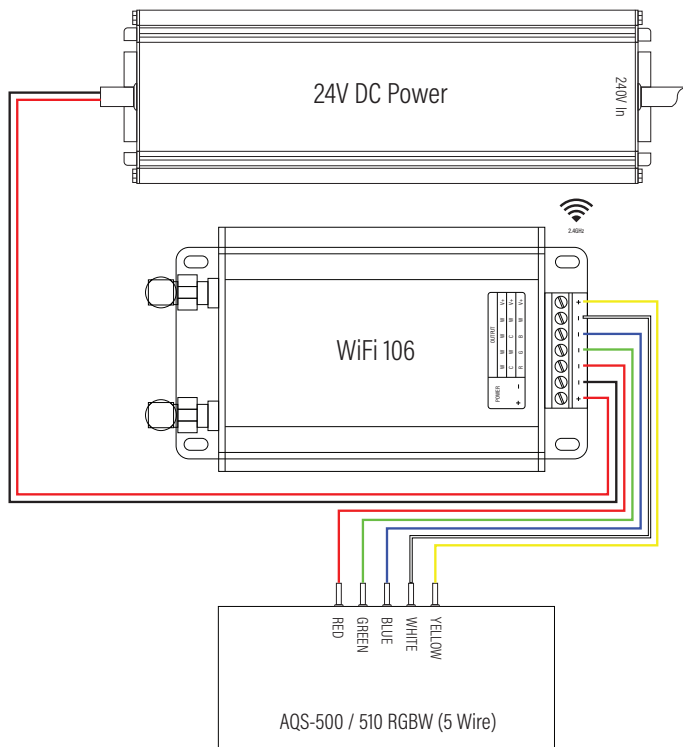
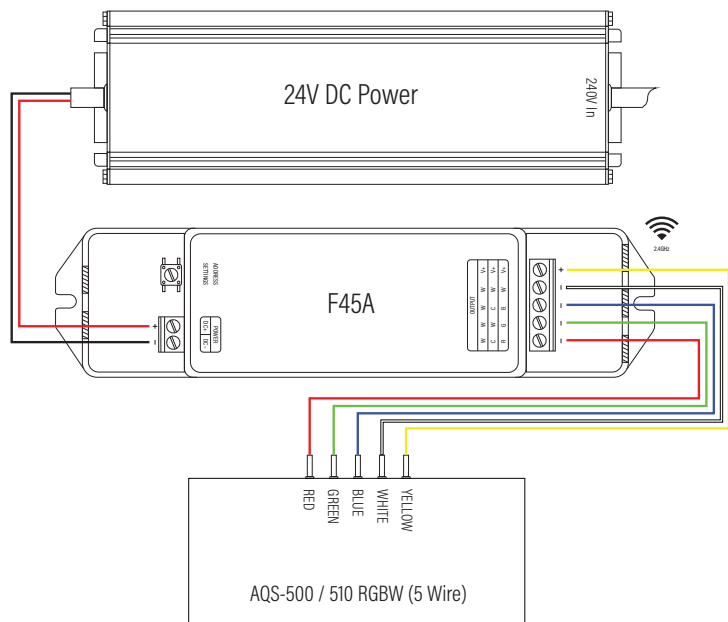
13

RGBW
24V DC
PWM Dimming
AQS-500 & 510

Wiring Diagram

5 Wire Fitting - WiFi 106 - F45A PWM - 24V DC

Setup allows for control from mobile or tablet from free Android or iOS app. Wall controllers and hand held remotes are also available to add to the system. Max 480W 4 channel @ 24VDC. Unlimited F45A's can be added to a zone. Max 10m strip run for single end feed and 20m double end feed.



Max 384W 4 channel @ 24VDC. Up to 12 Zones can be controlled from each Wifi-106. 16 Wifi-106's can be run on a Wifi network. RF Range 30m (Line of sight) can be extended with the addition of EBOX-AP's (up to 8 AP's). Max 10m strip run for single end feed and 20m double end feed.