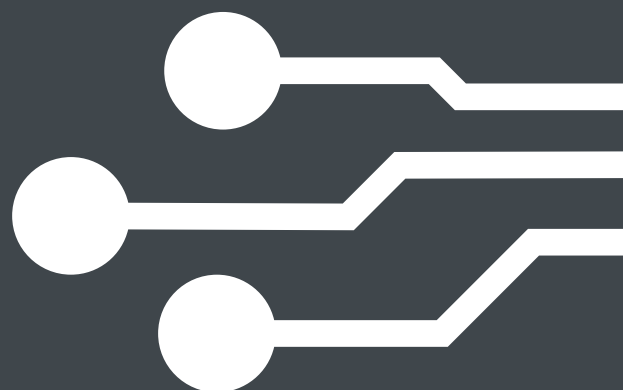


Mono  
12 ~ 24V AC  
2 wire  
No Dimming

1



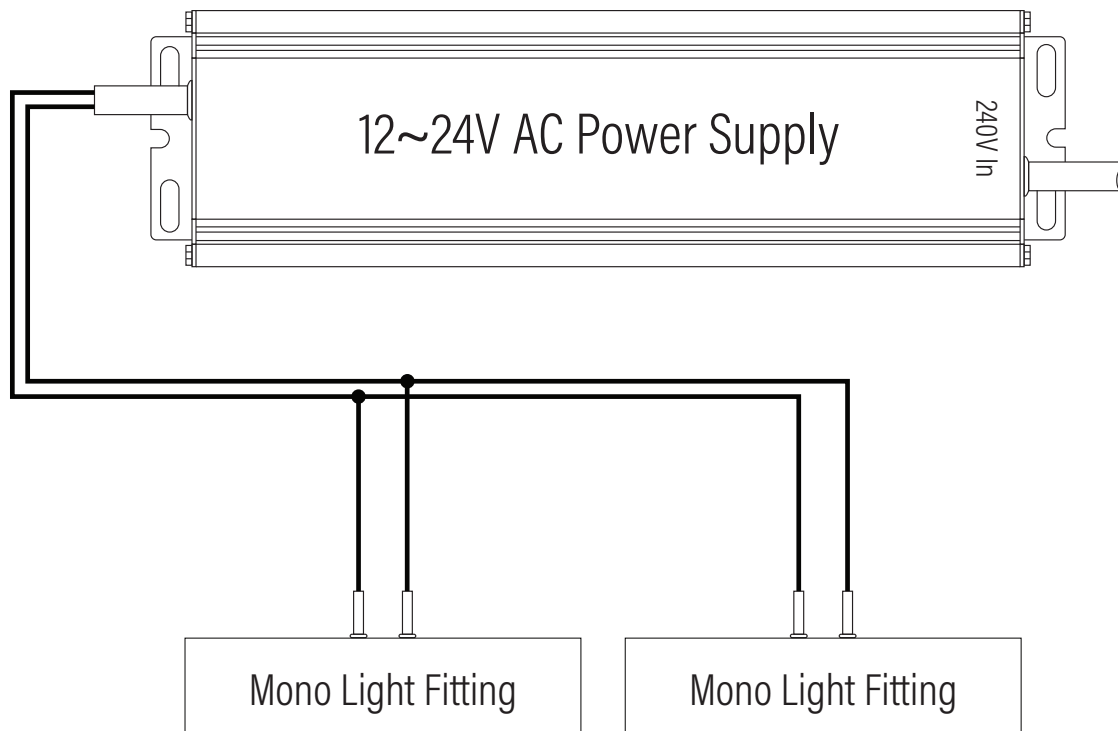
Mono - 12 ~ 24V AC - 2 wire



## Wiring Diagram

### Aqualux Codes

AQ012-020  
AQ012-050  
AQ012-100  
AQ012-150  
AQ012-200  
AQ024-050  
AQ024-100  
AQ024-200  
AQ024-300

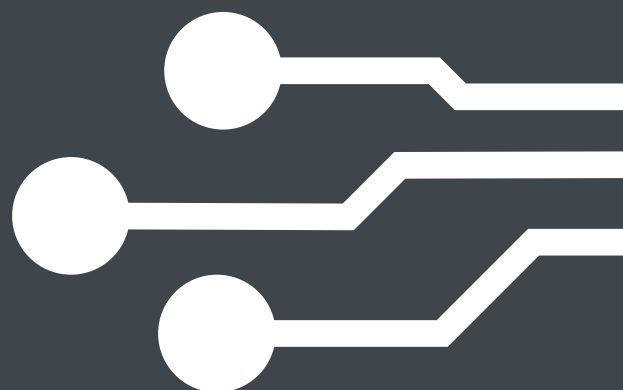


2 Fitting Example only

Wired in parallel (non polarity).

Mono  
24V DC  
2 wire  
No Dimming


2



Mono - 24V DC - 2 Wire

Mono  
24V DC  
2 wire  
No Dimming

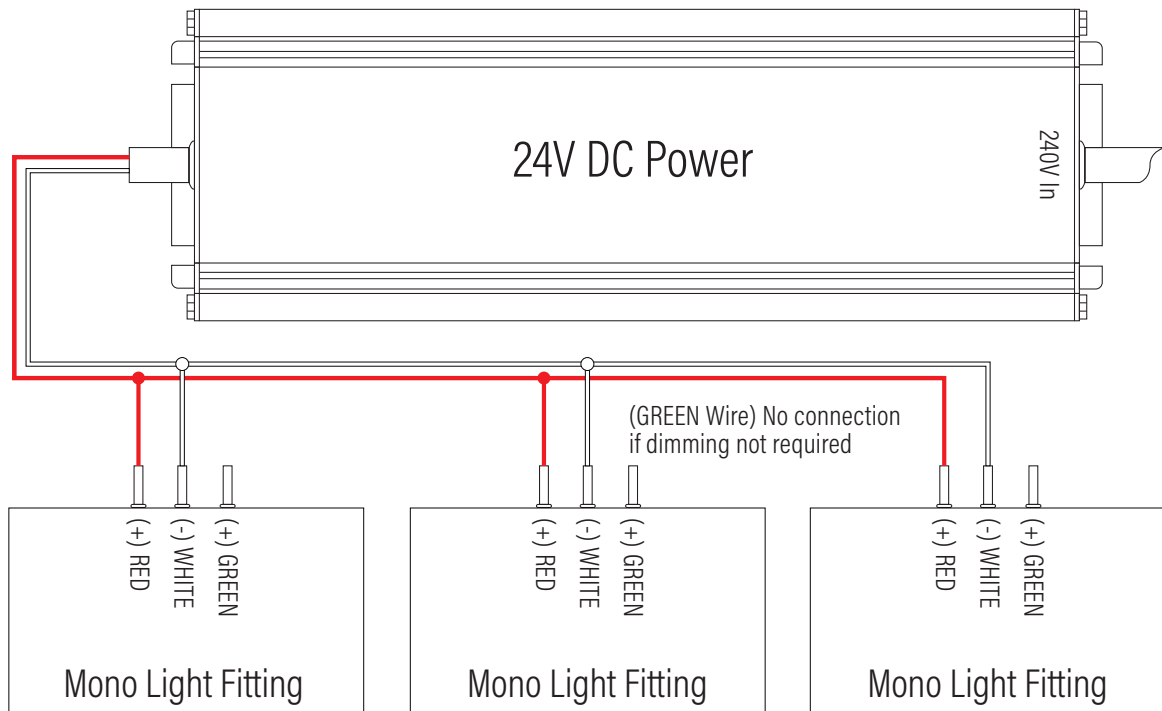
**2**



# Wiring Diagram

**Aqualux Codes**

AQD24-040
AQD24-100
AQD24-240

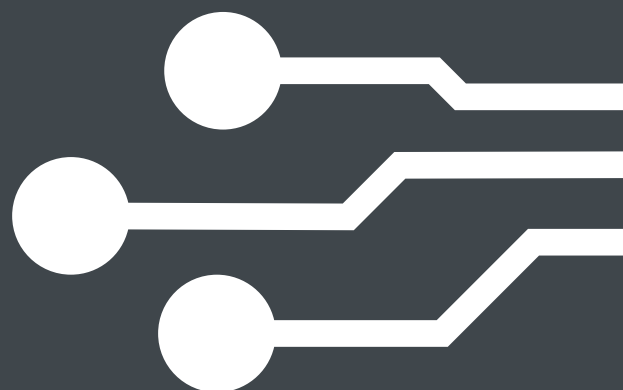


3 Fitting Example only

For Lumena, Lumena Pro, Pheonix and Artisan Mono fittings with the 3 wire cable. Wired in parallel, no dimming.

# Mono 24V DC 3 Wire Dali Dimming


# 3



# Mono - 24V DC - 3 Wire - Dali Dimming - Aqualux Driver

Mono  
24V DC  
3 Wire  
Dali Dimming

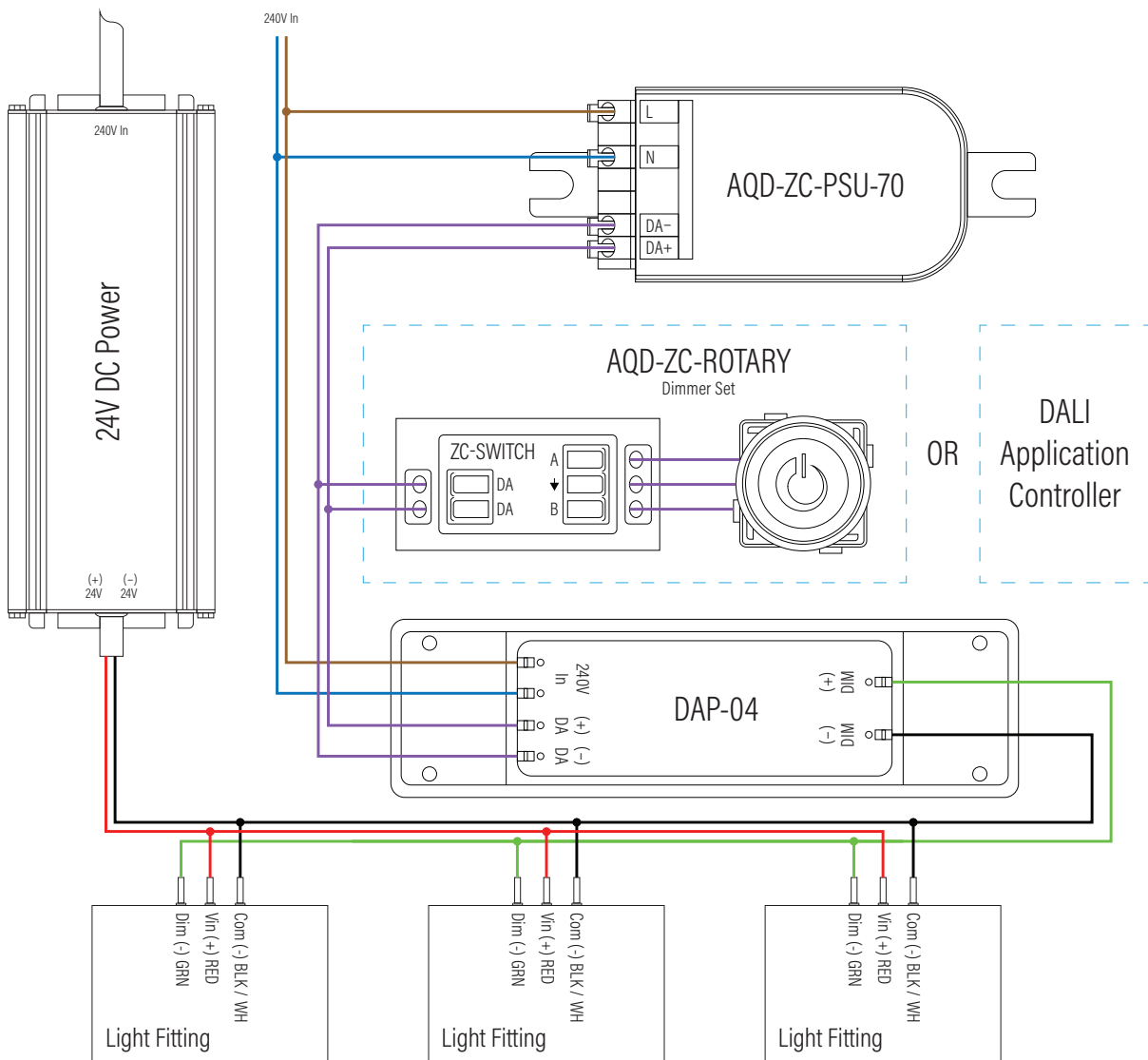
**3**



## Wiring Diagram

**Aqualux Codes**

AQD24-040
AQD24-100
AQD24-240
AQD-ZC-PSU-70
AQD-ZC-Rotary
AQD-MW-DAP-04

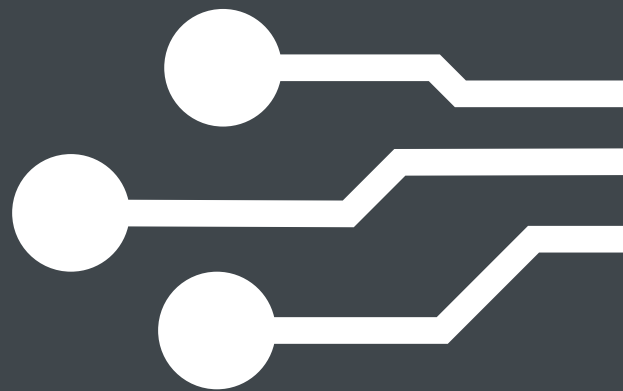


3 Fitting Example only

Dali dimming for mono fittings with 3 wire cable.

# RGBW 24V DC 6 Wire Dali Dimming

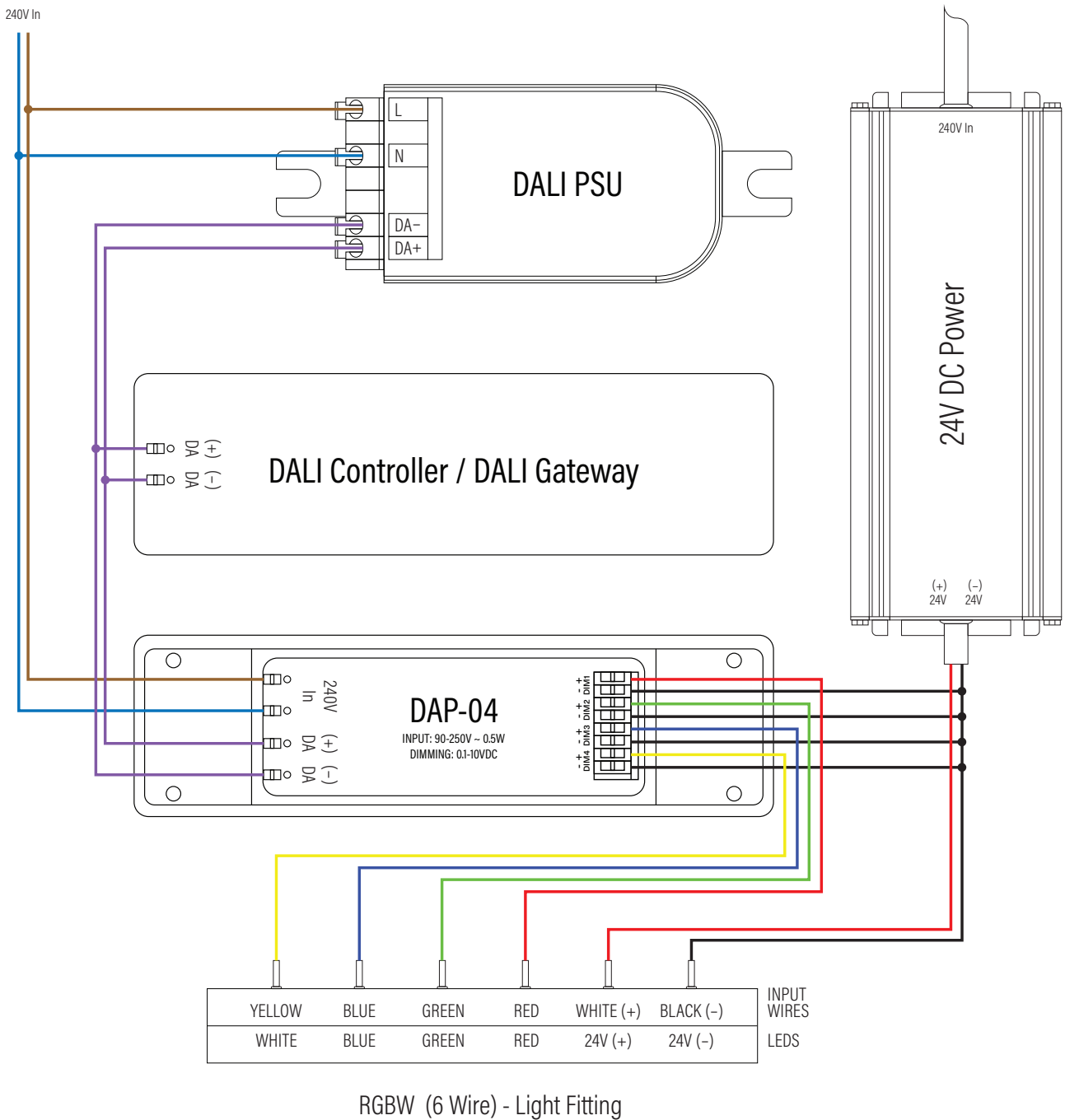
# 4



# Wiring Diagram

**Aqualux Codes**

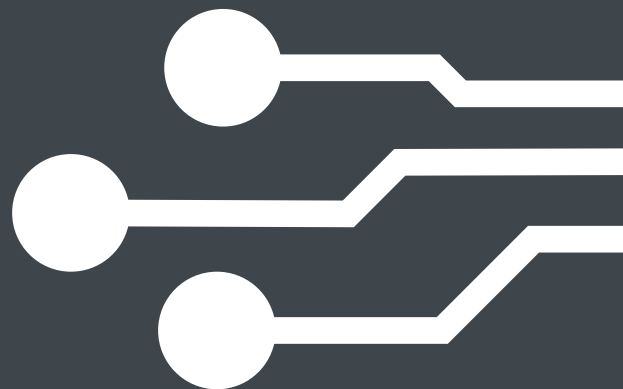
- \_\_\_\_\_ AQD24-040
- \_\_\_\_\_ AQD24-100
- \_\_\_\_\_ AQD24-240
- \_\_\_\_\_ AQD-ZC-PSU-70
- \_\_\_\_\_ AQD-ZC-Rotary
- \_\_\_\_\_ AQD-MW-DAP-04



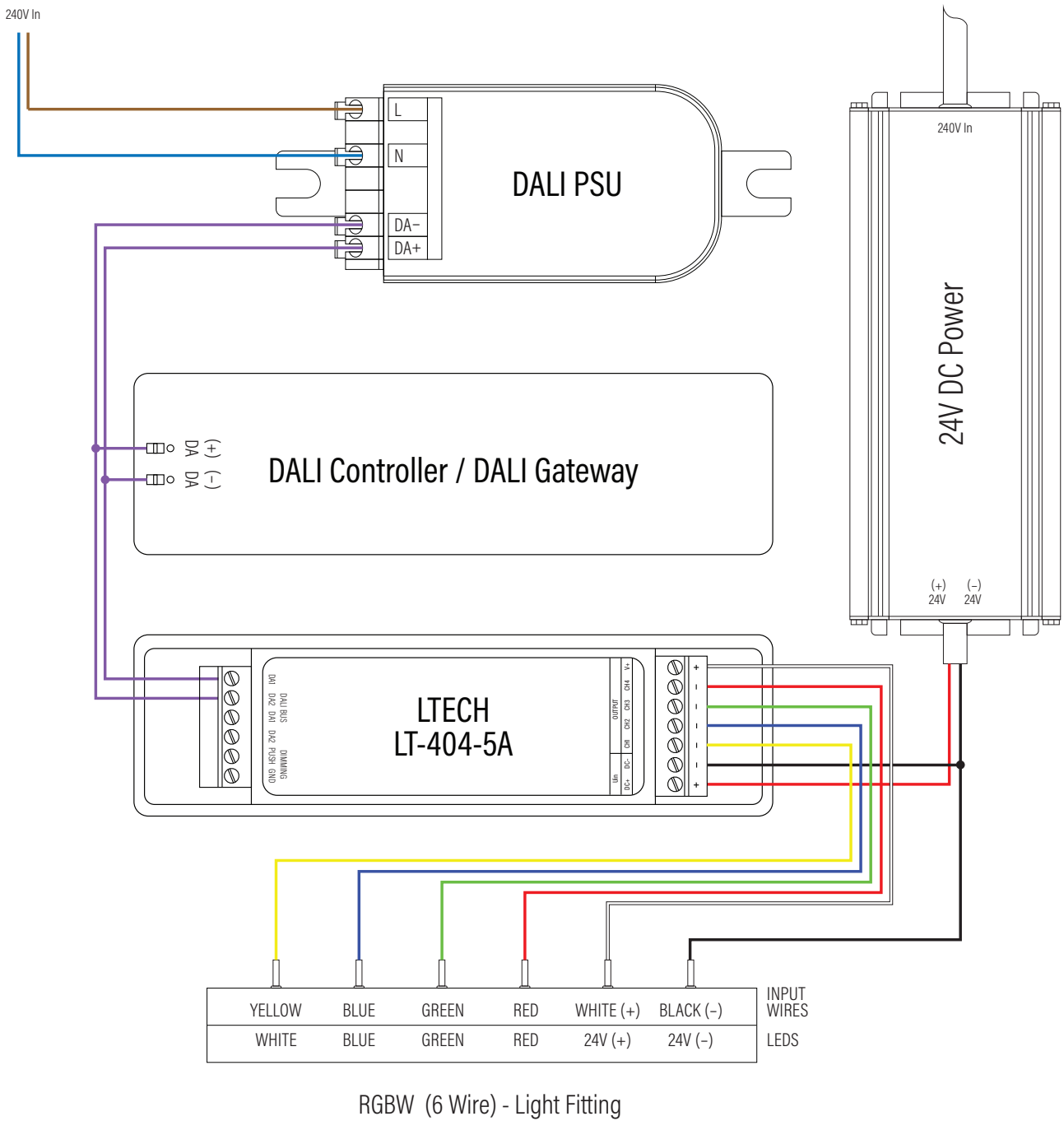


RGBW  
24V DC  
6 Wire  
Dali Dimming LTech

5

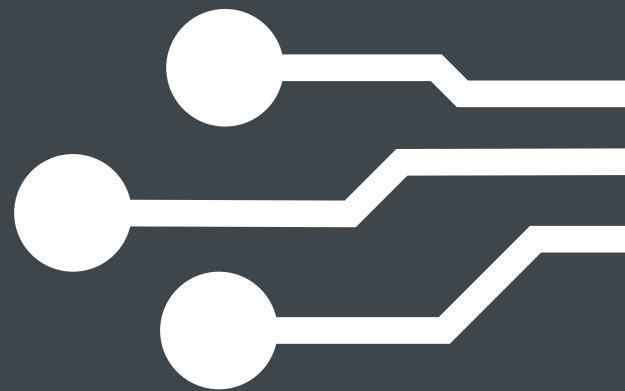


# Wiring Diagram



RGBW  
24V DC  
5 Wire  
PWM Dimming

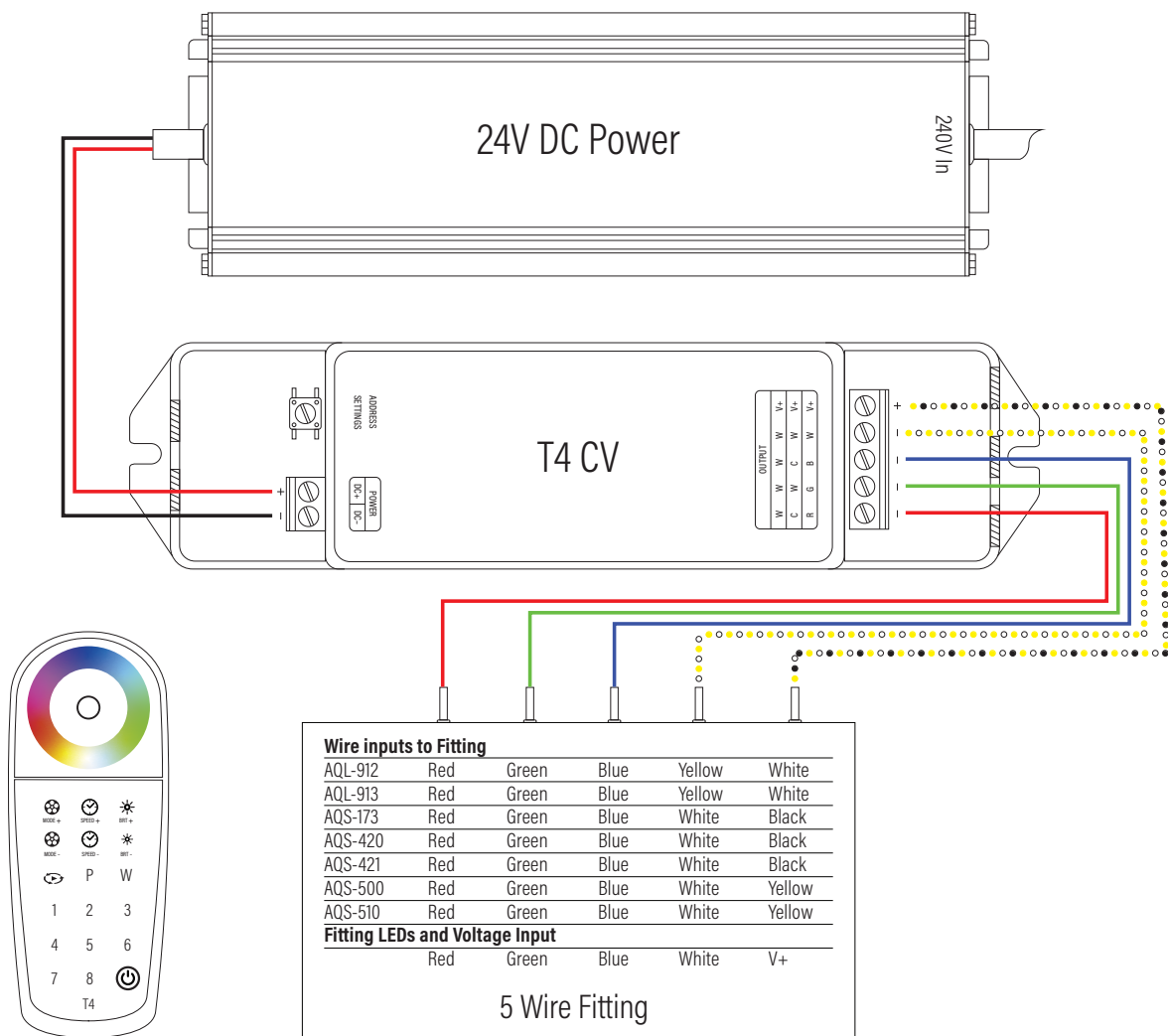
6



# Wiring Diagram

**Aqualux Codes**

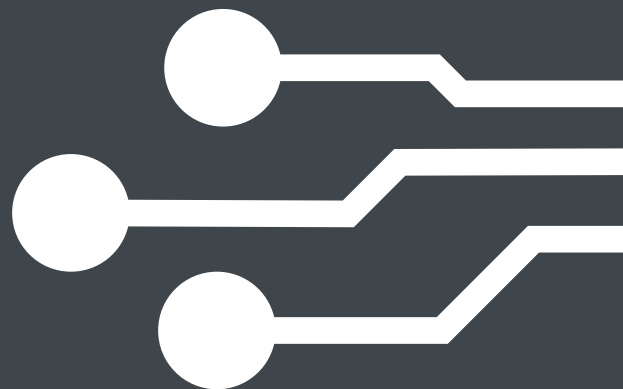
- \_\_\_\_\_ AQD24-040
- \_\_\_\_\_ AQD24-100
- \_\_\_\_\_ AQD24-240
- \_\_\_\_\_ AQD-400-T4CV
- \_\_\_\_\_ AQD-400-T4



Wireless 4 channel with zoning. Max 480W 4 channel @ 24VDC. Up to 8 Zones can be controlled from T4 Remote. RF Range 30m (Line of sight). Unlimited numbers of T4CV's can be added on each zone. Max 10m strip run for single end feed and 20m double end feed.

# RGBW 24V DC 6 Wire PWM Dimming

# 7



# RGBW - 24V DC - 6 Wire - T4 Remote - Aqualux Driver

RGBW  
24V DC  
6 Wire  
PWM Dimming

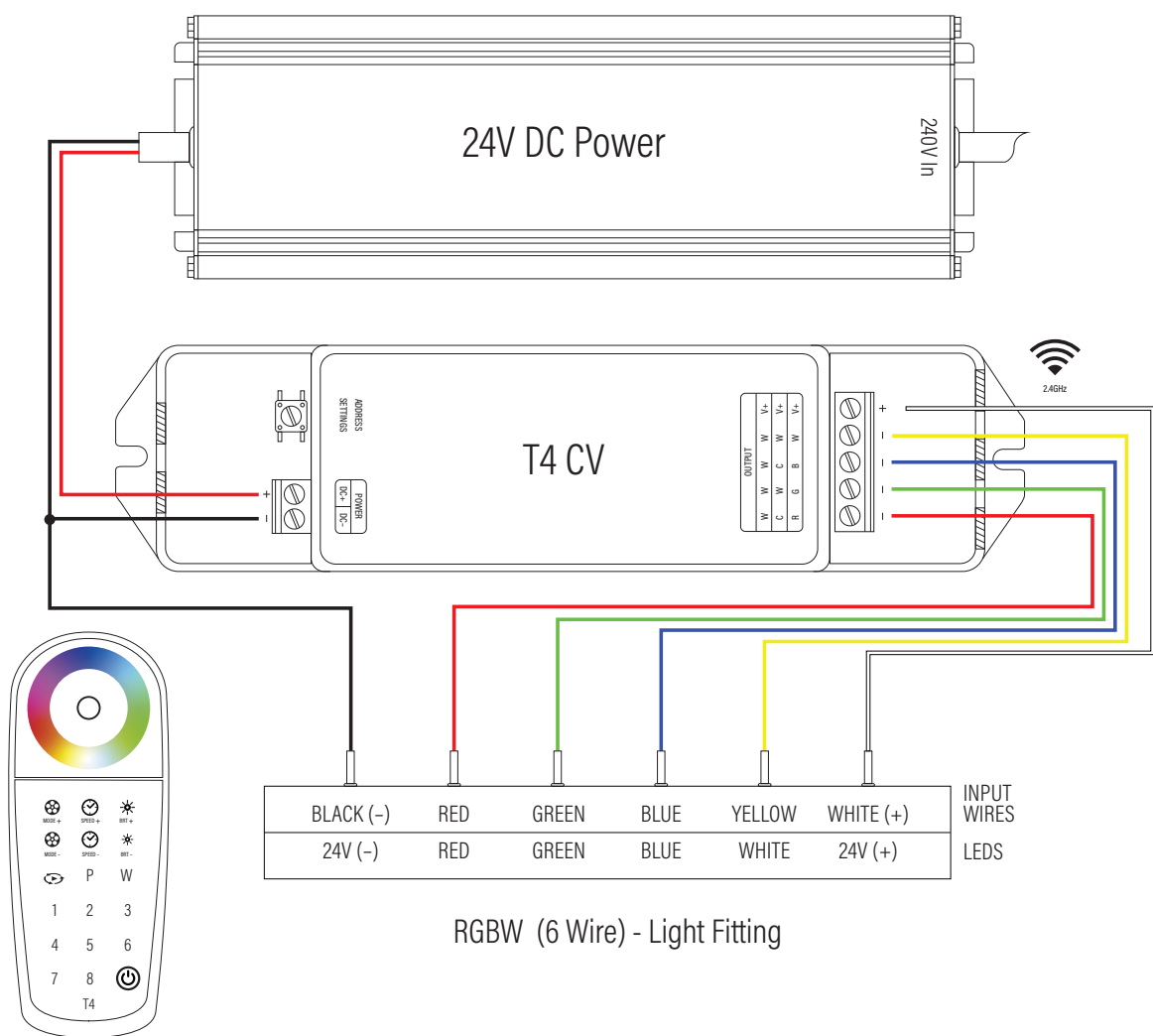
**7**



## Wiring Diagram

### Aqualux Codes

- AQD24-040
- AQD24-100
- AQD24-240
- AQD-400-T4CV
- AQD-400-T4

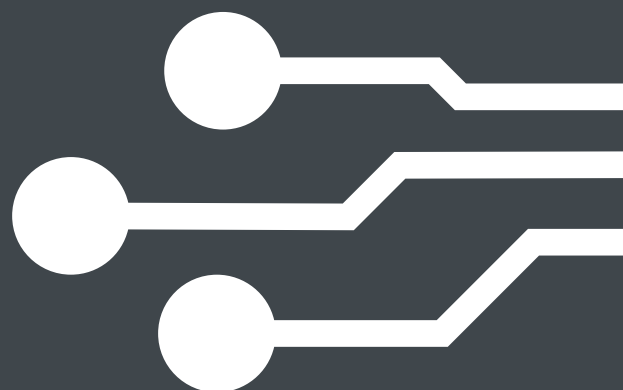


RGBW (6 Wire) - Light Fitting

Wireless 4 channel with zoning. Max 480W 4 channel @ 24VDC. Up to 8 Zones can be controlled from T4 Remote. RF Range 30m (Line of sight). Unlimited numbers of T4CV's can be added on each zone. For installations with a load greater than the controller/receiver capacity, the yellow V + wire can be wired directly to the positive + wire from the power supply which can allow up to 600W using a HLG-600H-24 power supply.

Tunable White  
24V DC  
3 Wire  
PWM Dimming

8

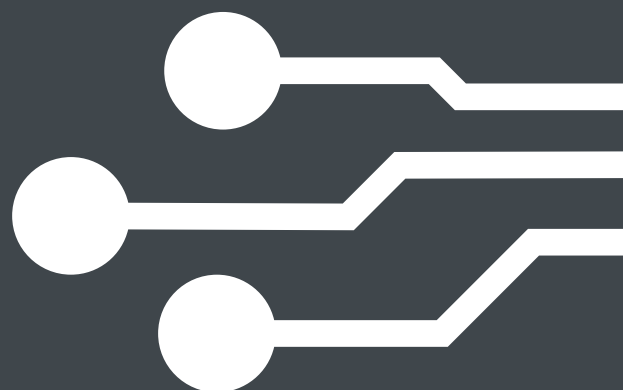






RGB  
24V DC  
4 Wire  
PWM Dimming

9



# RGB - 24V DC - 4 Wire - PWM Dimming - T3 Remote

RGB  
24V DC  
4 Wire  
PWM Dimming

9



## Wiring Diagram

### Aqualux Codes

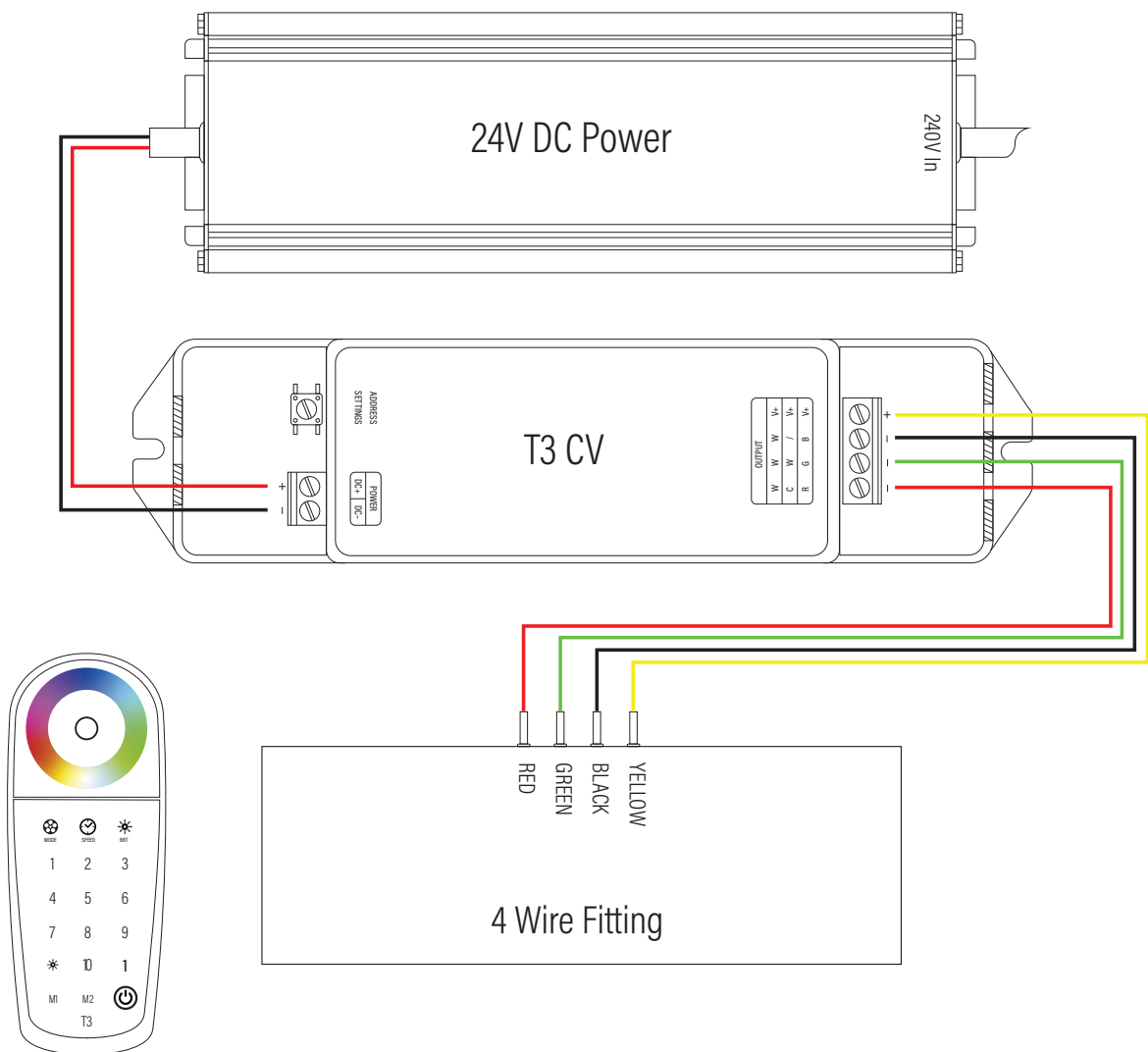
AQD24-040

AQD24-100

AQD24-240

AQD-400-T3CV

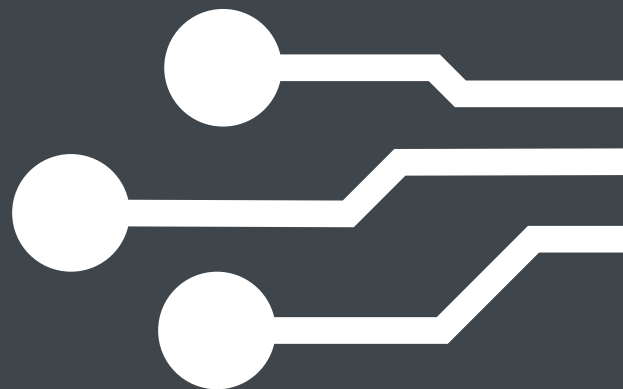
AQD-400-T3



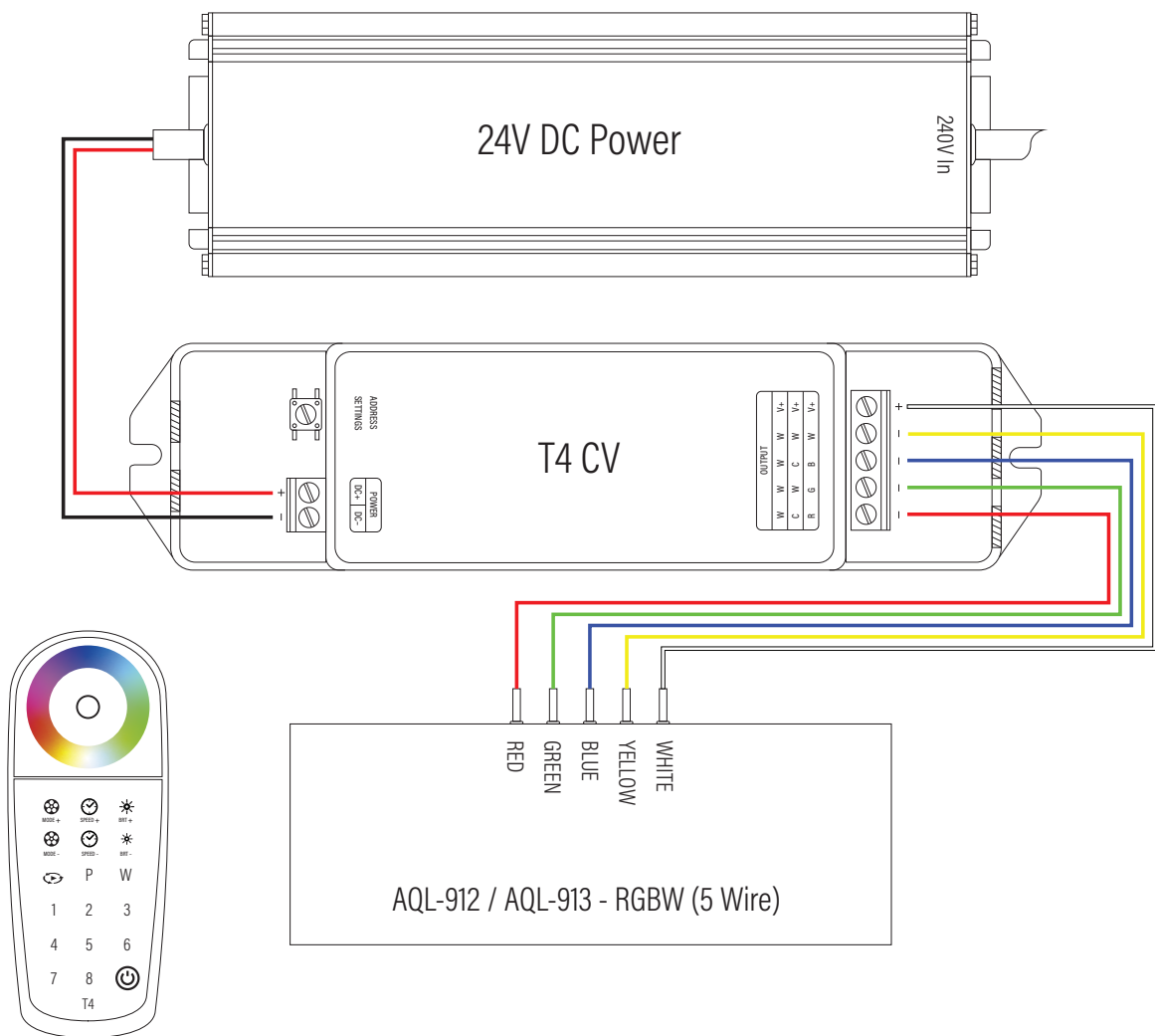
Wireless 3 channel with zoning. Max 432W 3 channel @ 24VDC. Up to 10 zones can be controlled from T3M remot. RF Range 30m (Line of sight). Unlimited numbers of T3CV's can be added to each zone. Max 5m strip run for single end feed.

RGBW  
24V DC  
PWM Dimming  
AQL-910-911-912-913

10



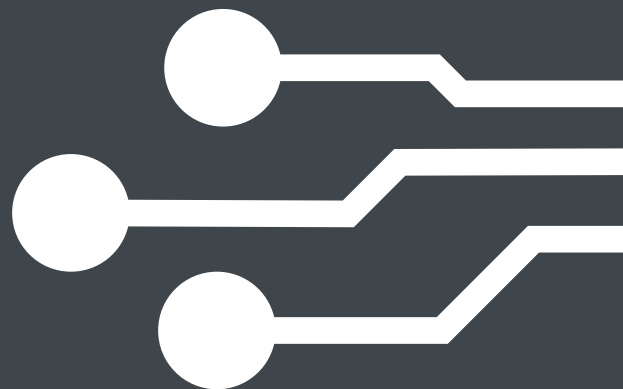
# Wiring Diagram



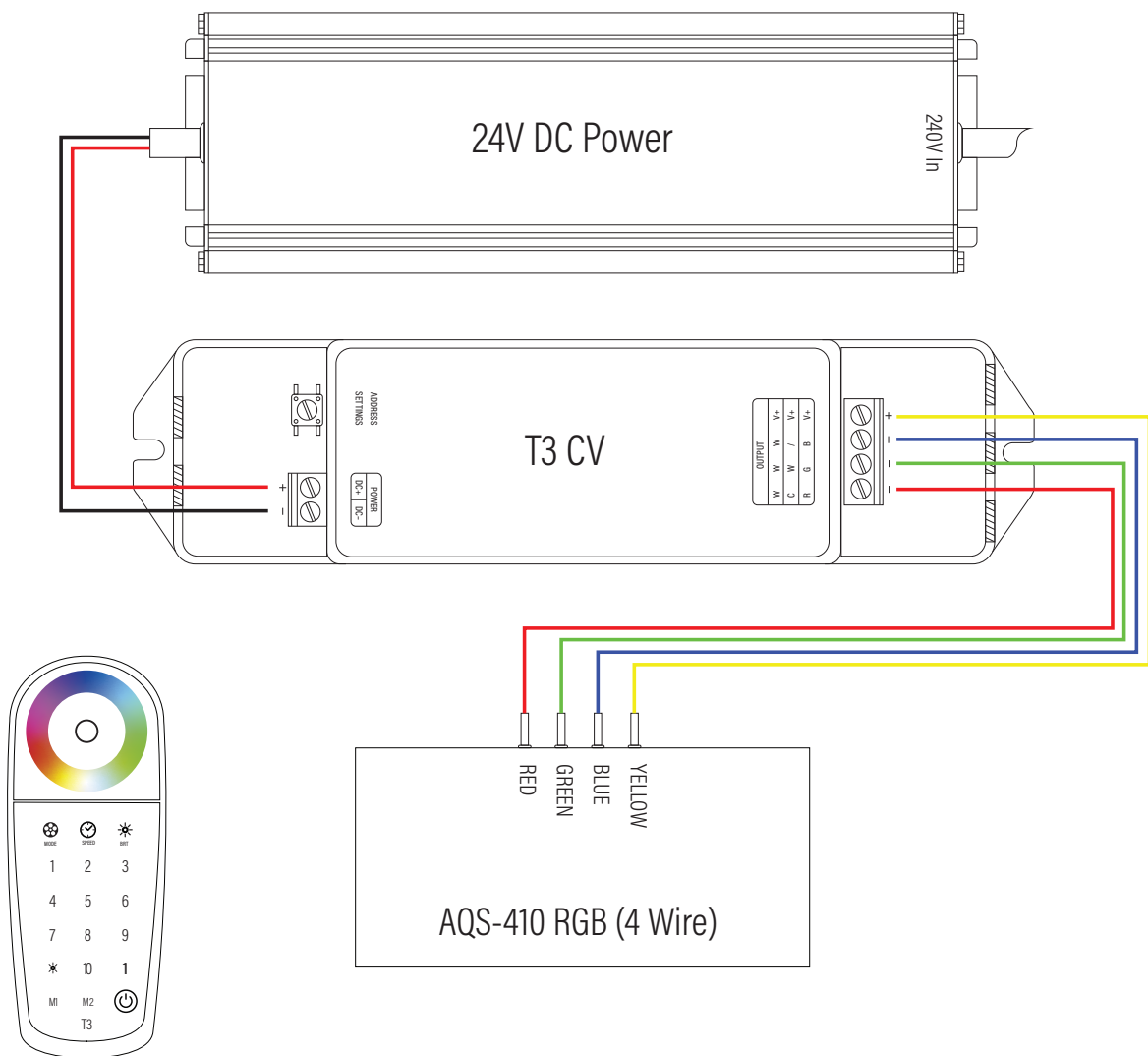
Wireless 4 Channel RGBW with Zoning. Max 480W 4 channel @ 24VDC. Up to 8 Zones can be controlled from T4 Remote. RF Range 30m (Line of sight), Unlimited numbers of T4CV's can be added on each zone.

# RGB 24V DC PWM Dimming AQS-410

# 11



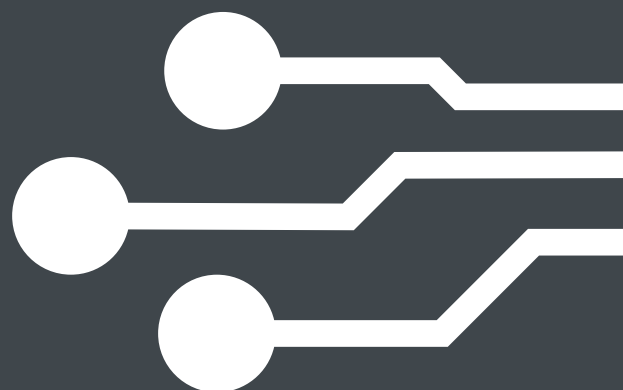
# Wiring Diagram



Wireless 3 channel with zoning. Max 432W 3 channel @ 24VDC. Up to 10 zones controlled from T3M remote. RF Range 30m ( Line of sight). Unlimited numbers of T3CV's can be added to each zone. Max 10m strip run for single end feed and 20m double end feed.

RGBW  
24V DC  
5 Wire  
F45A PWM Dimming

12



RGBW  
24V DC  
5 Wire  
F45A PWM Dimming

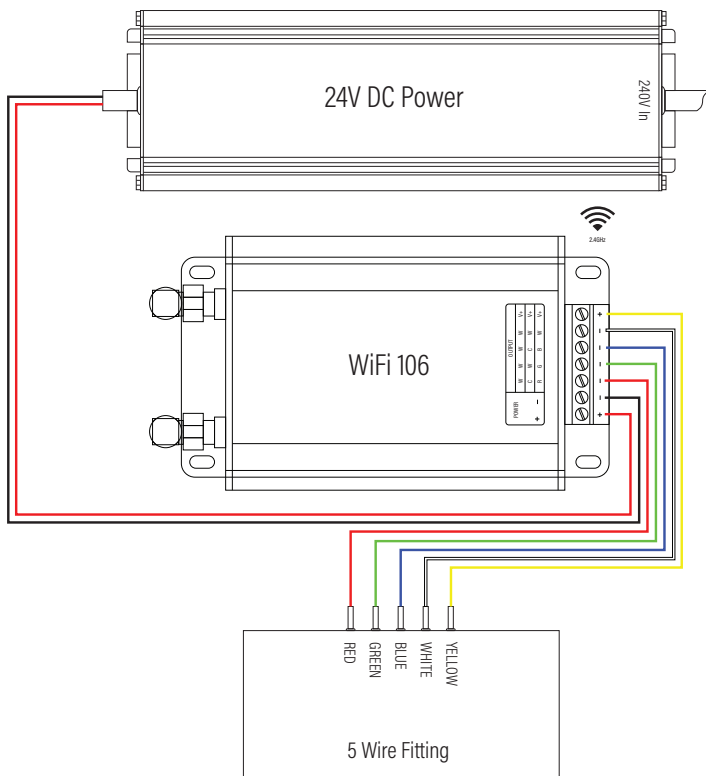
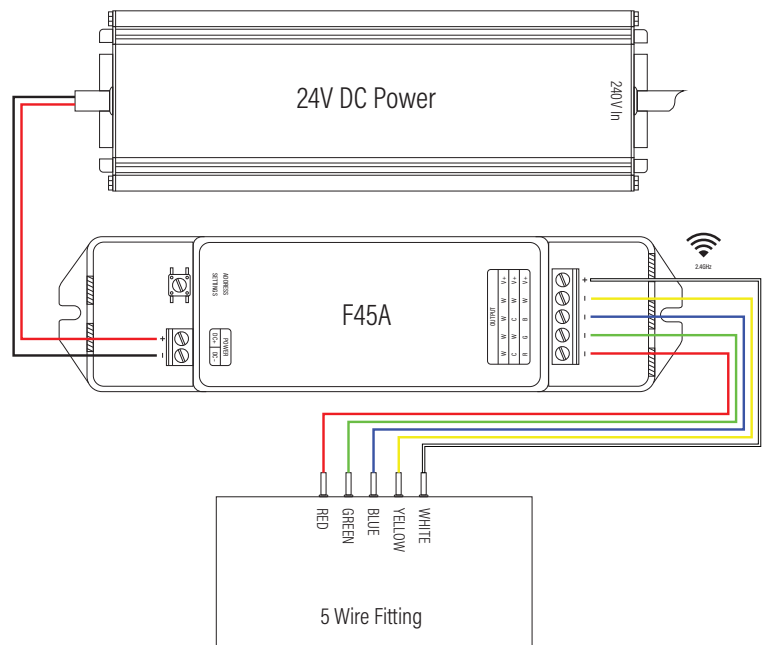
**12**

# Wiring Diagram

**Aqualux Codes**

- \_\_\_\_\_ AQD24-040
- \_\_\_\_\_ AQD24-100
- \_\_\_\_\_ AQD24-240
- \_\_\_\_\_ AQD-400-F45A
- \_\_\_\_\_ AQD-400-WiFi106

Setup allows for control from mobile or tablet from free Android or iOS app. Wall controllers and hand held remotes are also available to add to the system. Max 480W 4 channel @ 24VDC. Unlimited F45A's can be added to a zone.



Max 384W 4 channel @ 24VDC. Up to 12 Zones can be controlled from each Wifi-106. 16 Wifi-106's can be run on a Wifi network. RF Range 30m (Line of sight) can be extended with the addition of EBOXAP's (up to 8 AP's).

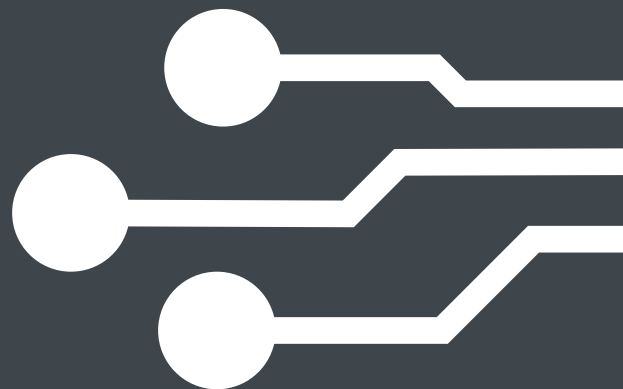
Wire inputs to Fitting					
AQL-912	Red	Green	Blue	Yellow	White
AQL-913	Red	Green	Blue	Yellow	White
AQS-173	Red	Green	Blue	White	Black
AQS-420	Red	Green	Blue	White	Black
AQS-421	Red	Green	Blue	White	Black
AQS-500	Red	Green	Blue	White	Yellow
AQS-510	Red	Green	Blue	White	Yellow
Fitting LEDs and Voltage Input					
	Red	Green	Blue	White	V+

5 Wire Fitting



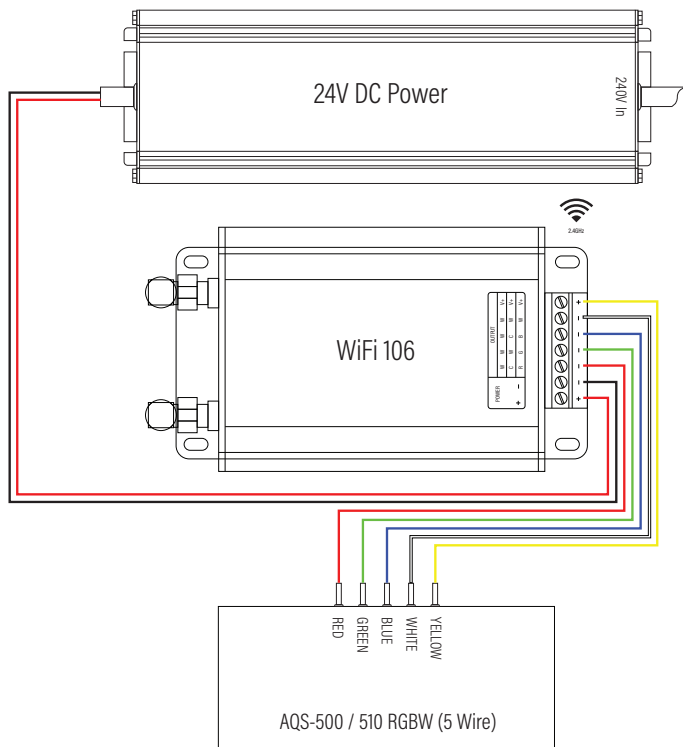
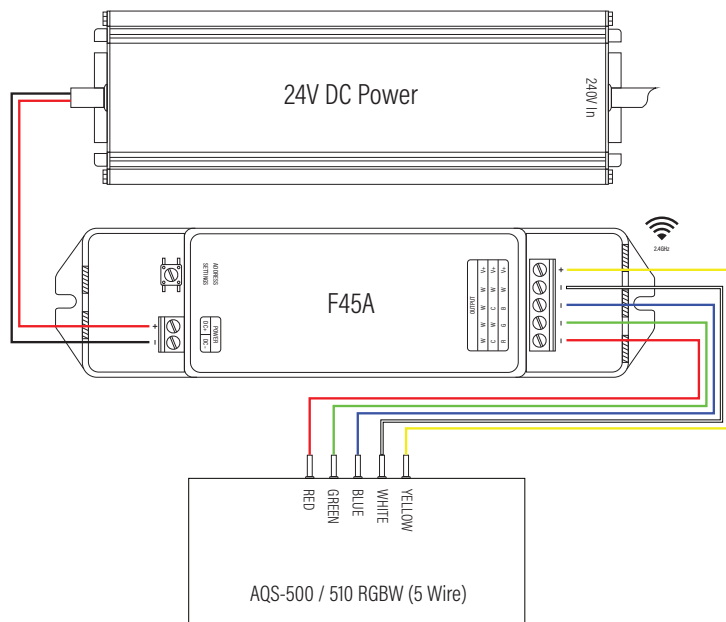
RGBW  
24V DC  
PWM Dimming  
AQS-500 & 510

13



# Wiring Diagram

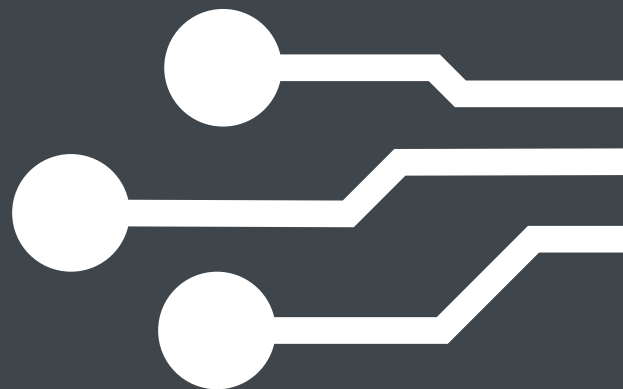
Setup allows for control from mobile or tablet from free Android or iOS app. Wall controllers and hand held remotes are also available to add to the system. Max 480W 4 channel @ 24VDC. Unlimited F45A's can be added to a zone. Max 10m strip run for single end feed and 20m double end feed.



Max 384W 4 channel @ 24VDC. Up to 12 Zones can be controlled from each Wifi-106. 16 Wifi-106's can be run on a Wifi network. RF Range 30m (Line of sight) can be extended with the addition of EBOX-AP's (up to 8 AP's). Max 10m strip run for single end feed and 20m double end feed.

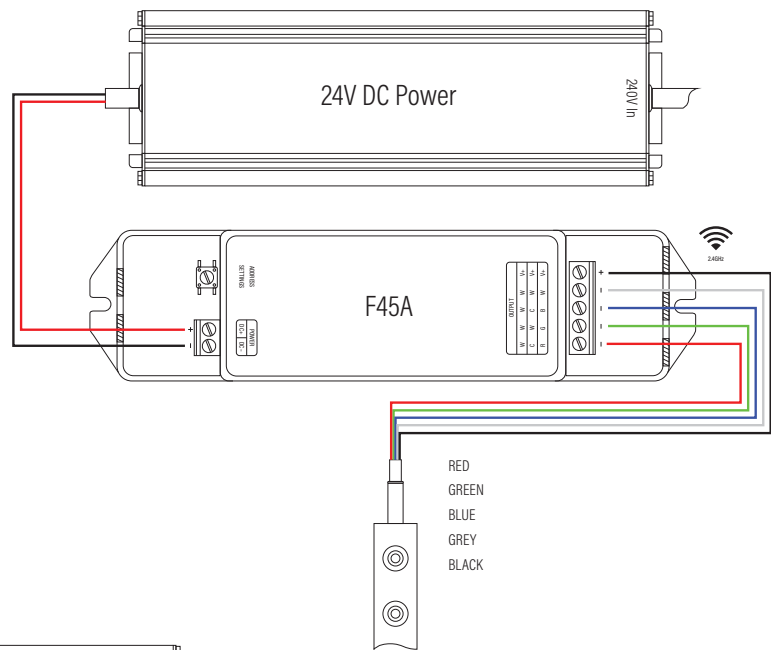
RGBW  
24V DC  
PWM Dimming  
AQS-600

14

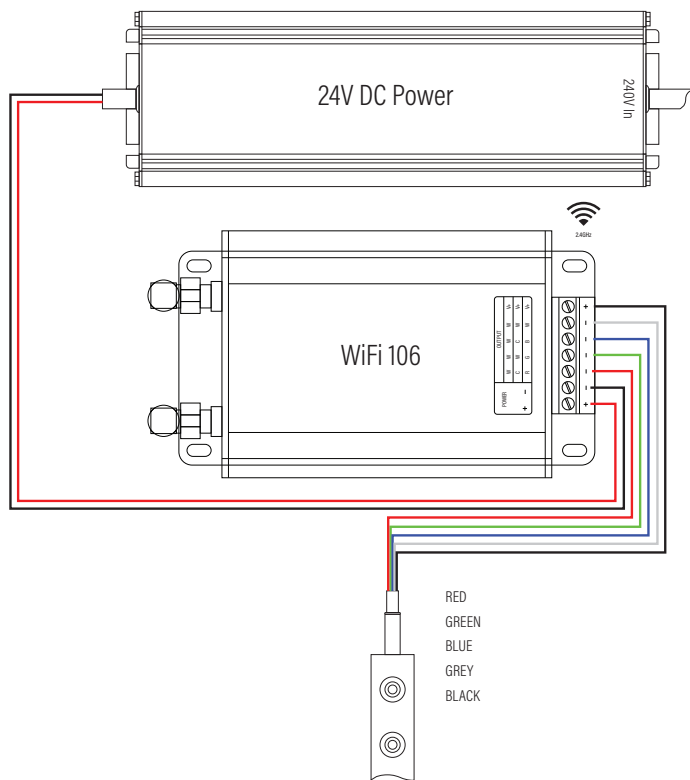


# Wiring Diagram

Setup allows for control from mobile or tablet from free Android or iOS app. Wall controllers and hand held remotes are also available to add to the system. Max 480W 4 channel @ 24VDC. Unlimited F45A's can be added to a zone. Max 5m strip run for single end feed.



AQS-600-RGBW - 5 Wire Strip

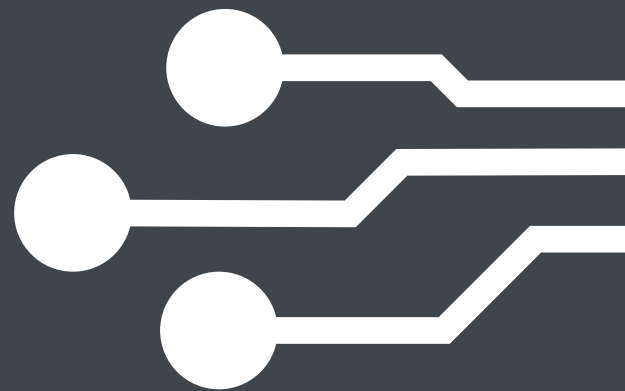


AQS-600-RGBW - 5 Wire Strip

Max 384W 4 channel @ 24VDC. Up to 12 Zones can be controlled from each Wifi-106. 16 Wifi-106's can be run on a Wifi network. RF Range 30m (Line of sight) can be extended with the addition of EBOXAP'. Max 5m strip run for single end feed.

RGBW  
24V DC  
PWM Dimming  
10W - Z0 Code

15



RGBW  
24V DC  
PWM Dimming  
10W - Z0 Code

**15**

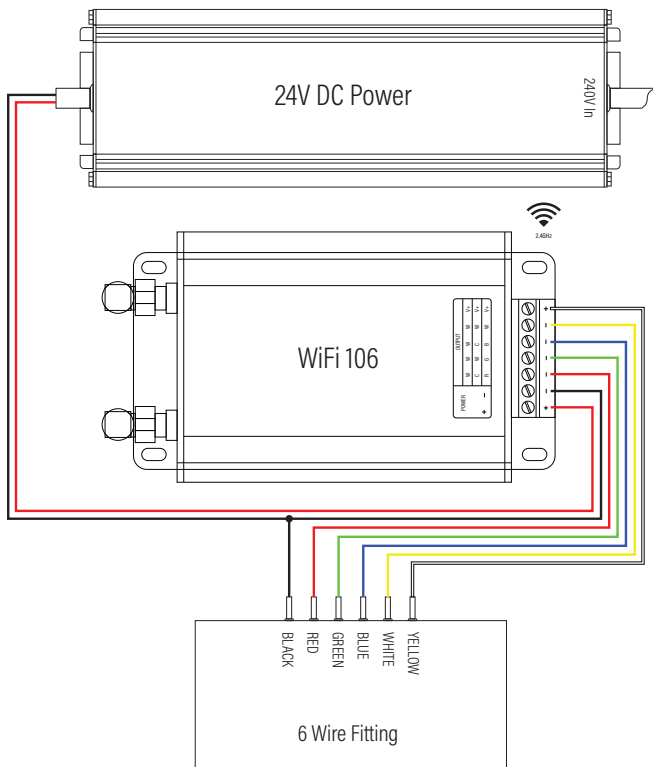
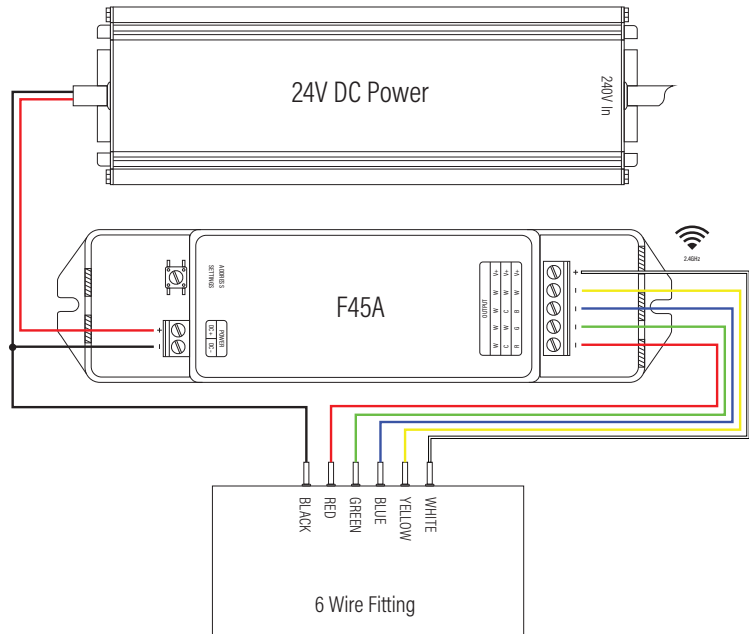


# Wiring Diagram

**Aqualux Codes**

AQD24-040
AQD24-100
AQD24-240
AQD-400-F45A
AQD-400-WiFi106

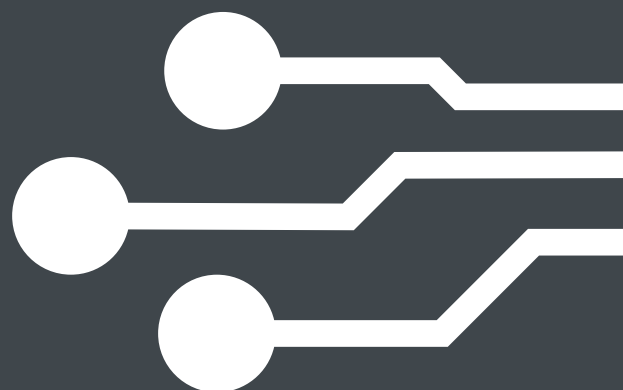
Setup allows for control from mobile or tablet from free Android or iOS app. Wireless wall controllers and hand held remotes are also available to add to the system. Max 480W 4 channel @ 24VDC. Unlimited F45A's can be added to a zone.



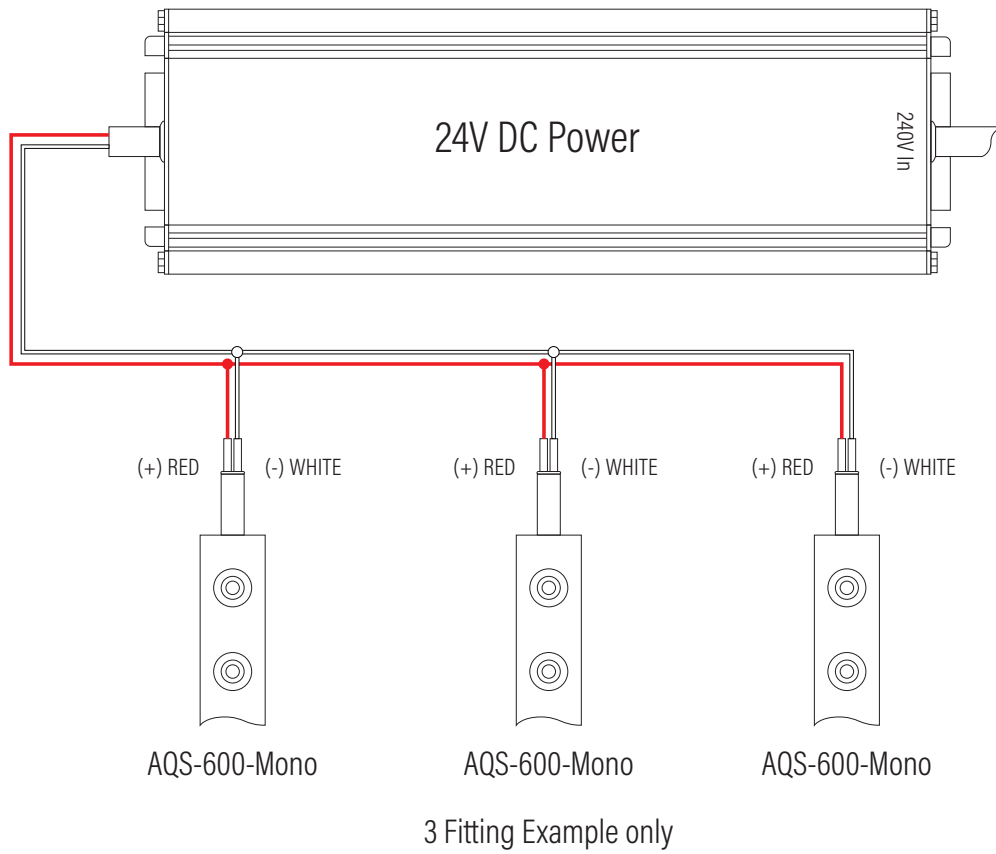
Max 384W 4 channel @ 24VDC. Up to 12 Zones can be controlled from each Wifi-106. 16 Wifi-106's can be run on a Wifi network. RF Range 30m (Line of sight) can be extended with the addition of EBOX-AP's (up to 8 AP's). For installations with a load greater than the controller/receiver capacity, the yellow V+ wire can be wired directly to the positive + wire from the power supply which can allow up to 600W using a HLG-600H-24 power supply.

# Mono 24V DC No Dimming AQS-600

# 16



# Wiring Diagram

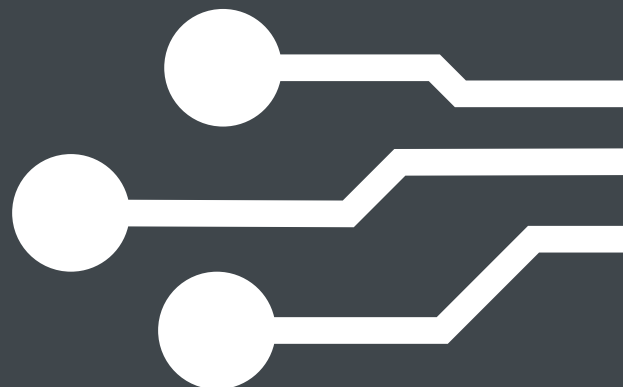


For Mono AQS-600 Flexible Wall Washer. Wired in Parallel.  
Single end feed with a maximum 5 meter run.

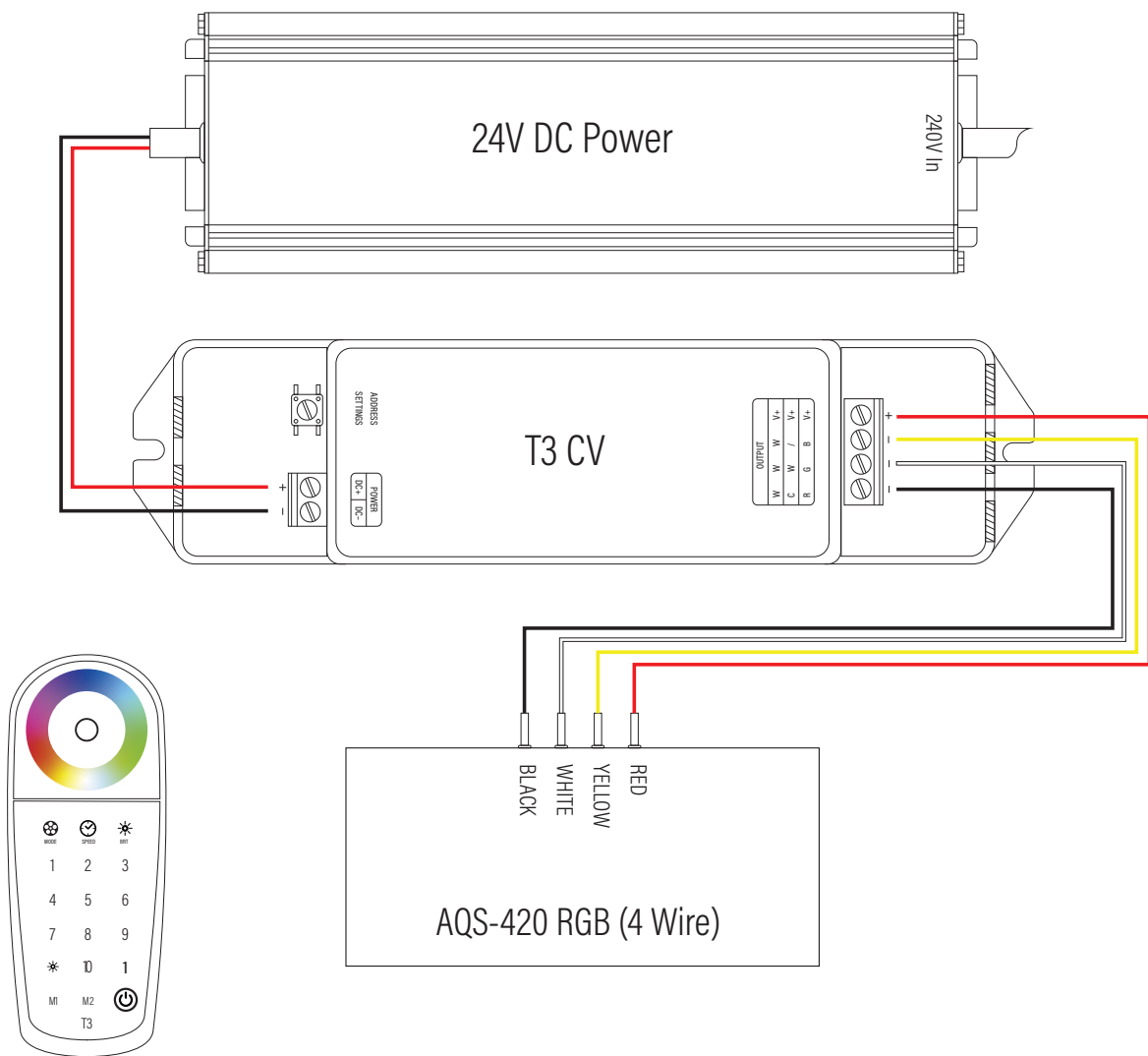


# RGB 24V DC PWM Dimming AQS-600

# 17



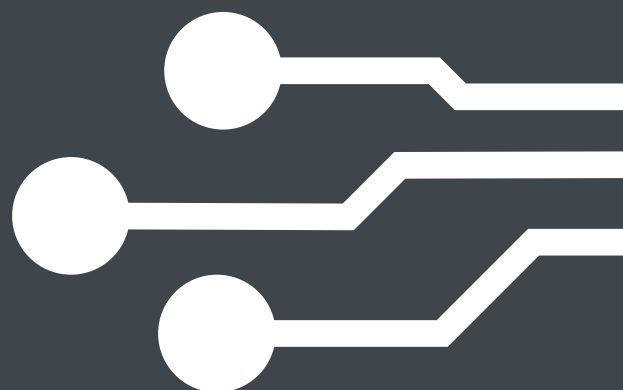
# Wiring Diagram



Wireless 3 channel with zoning. Max 432W 3 channel @ 24VDC. Up to 10 zones can be controlled from T3M remote. RF Range 30m (Line of sight). Unlimited numbers of T3CV's can be added to each zone. Max 10m strip run for single end feed and 20m double end feed.

RGBW  
24V DC  
5 Wire  
DMX Dimming

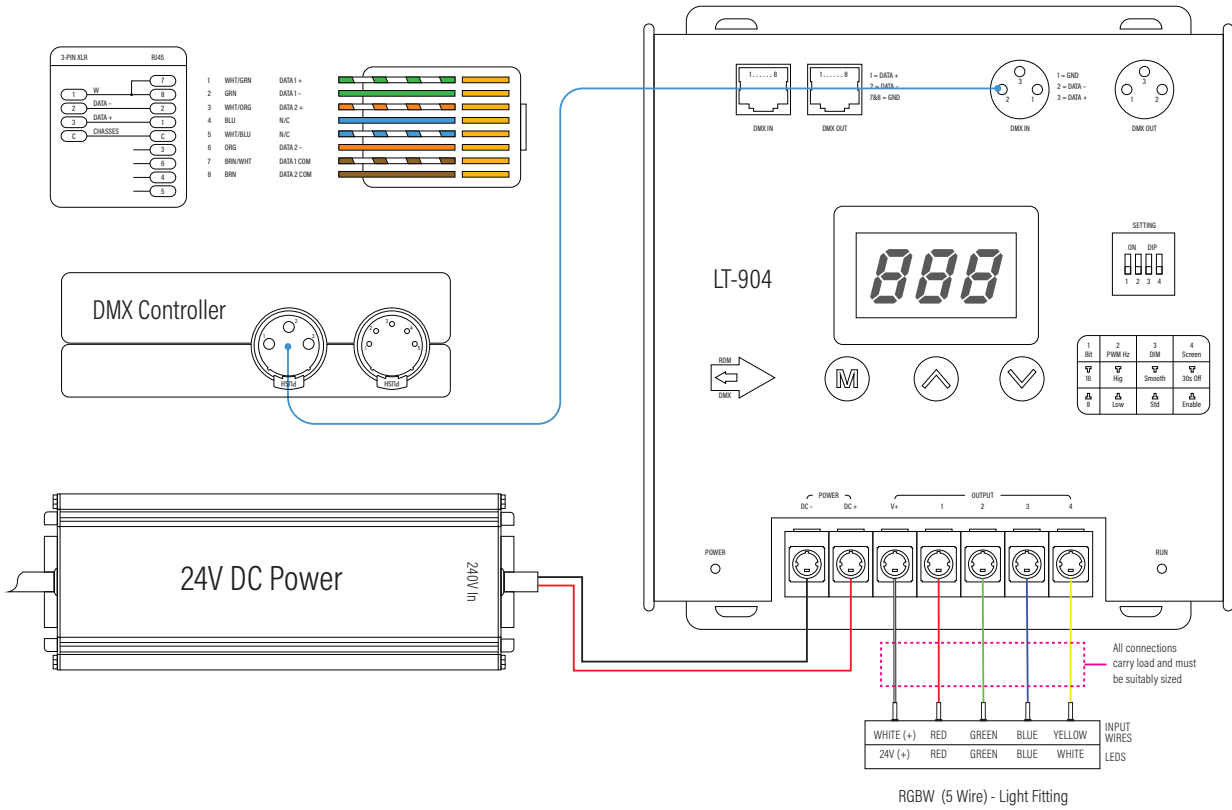
18



# Wiring Diagram

**Aqualux Codes**

- \_\_\_\_\_ AQD24-040
- \_\_\_\_\_ AQD24-100
- \_\_\_\_\_ AQD24-240
- \_\_\_\_\_ AQD-400-LT904
- \_\_\_\_\_ AQD-400-WiFi106



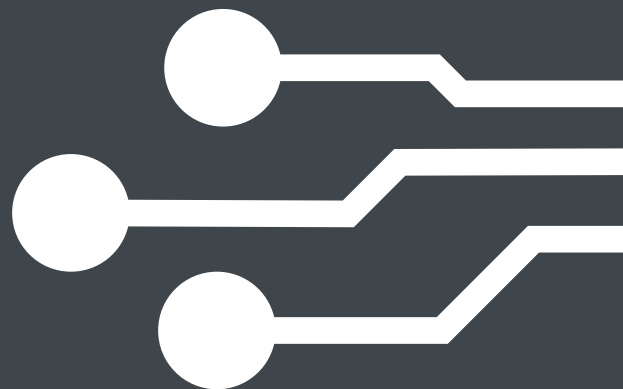
Wire inputs to Fitting	Red	Green	Blue	Yellow	White
AQL-912	Red	Green	Blue	Yellow	White
AQL-913	Red	Green	Blue	Yellow	White
AQS-173	Red	Green	Blue	White	Black
AQS-420	Red	Green	Blue	White	Black
AQS-421	Red	Green	Blue	White	Black
AQS-500	Red	Green	Blue	White	Yellow
AQS-510	Red	Green	Blue	White	Yellow
Fitting LEDs and Voltage Input	Red	Green	Blue	White	V+

**5 Wire Fitting**

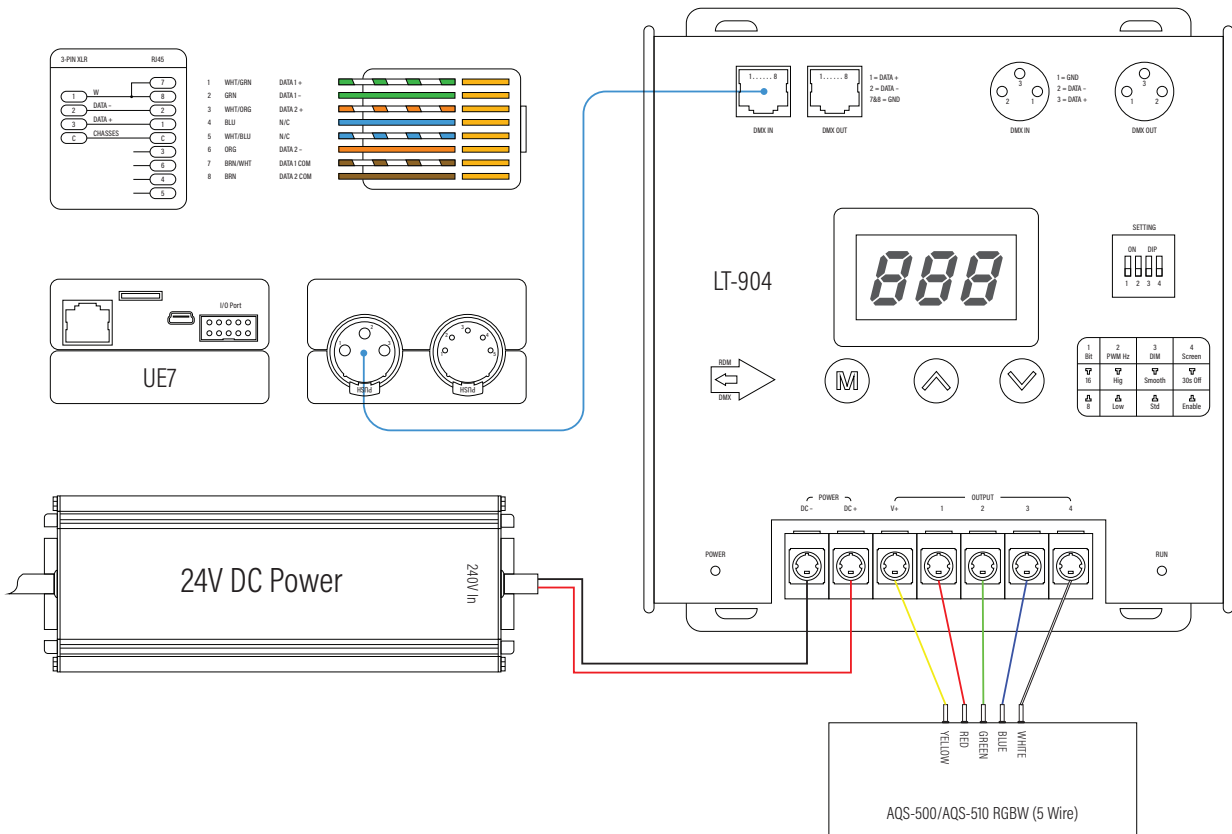
Setup allows for app control (needs to be on a wifi network), calender scene triggers, operation from control systems and scene triggering from external sources. 16 and 32 channel receivers available. Receivers can be daisy chained. Up to 128 individual floods per DMX universe with the appropriate amount of receivers. Up to 2 DMX Universes. Wall Controllers available.

RGBW  
24V DC  
DMX Dimming  
AQS-500 & 510

19



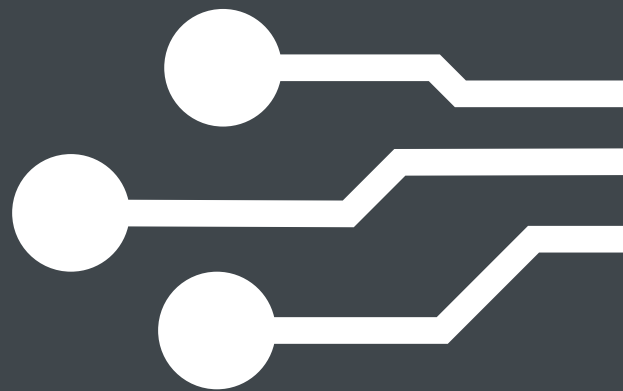
# Wiring Diagram



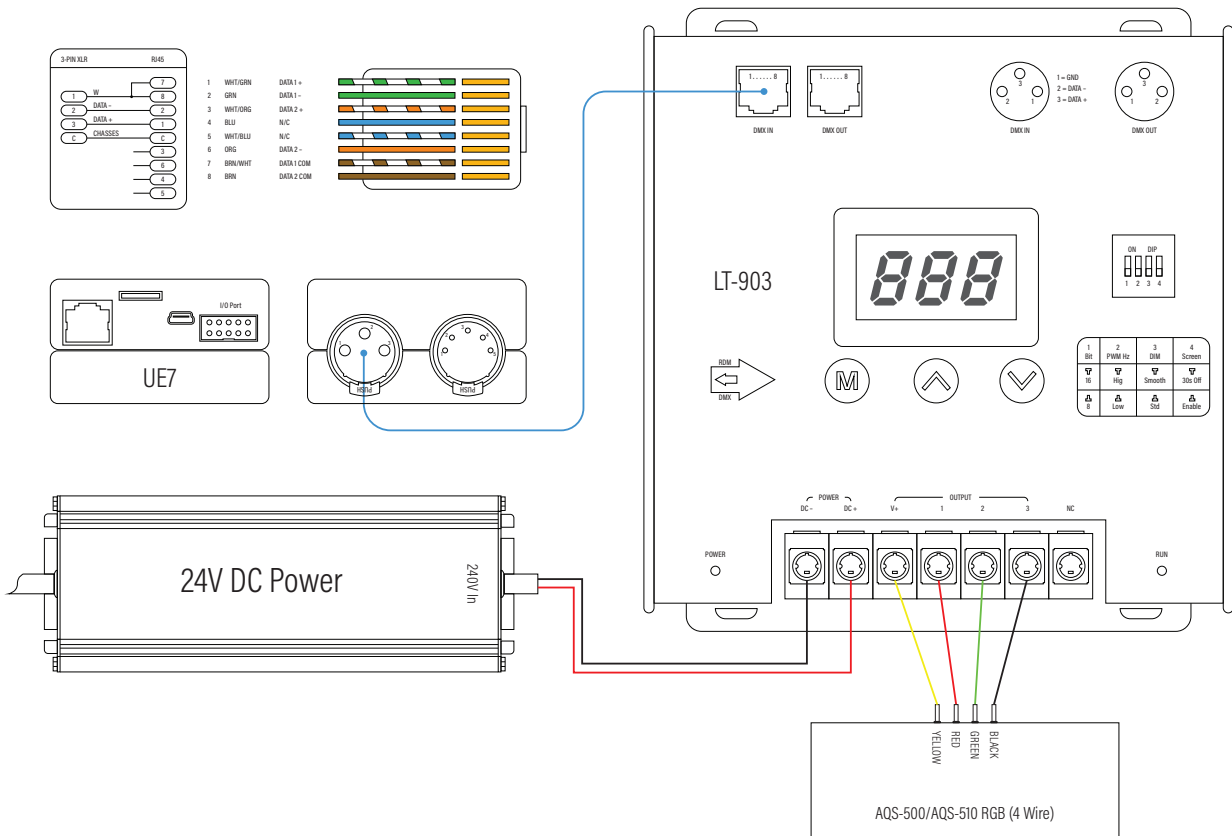
Setup allows for app control (needs to be on a wifi network), calendar scene triggers, operation from control systems and scene triggering from external sources. 16 and 32 channel receivers available. Receivers can be daisy chained. Up to 128 individual runs of neon flex per DMX universe with the appropriate amount of receivers. Up to 2 DMX Universes. Wall Controllers available. Max 10m strip run for single end feed and 20m double end feed.

RGB  
24V DC  
DMX Dimming  
AQS-500 & 510

20



# Wiring Diagram

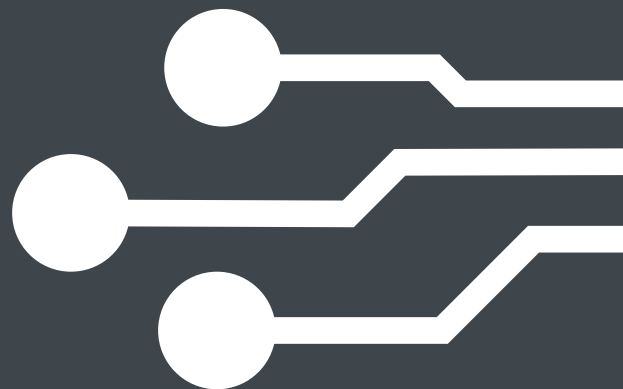


Setup allows for app control (needs to be on a wifi network), calendar scene triggers, operation from control systems and scene triggering from external sources. 12 and 24 channel receivers also available. Receivers can be daisy chained. Up to 170 individual runs of neon flex per DMX universe with the appropriate amount of receivers. Up to 2 DMX Universes. Wall Controllers available. Max 10m strip run for single end feed and 20m double end feed.

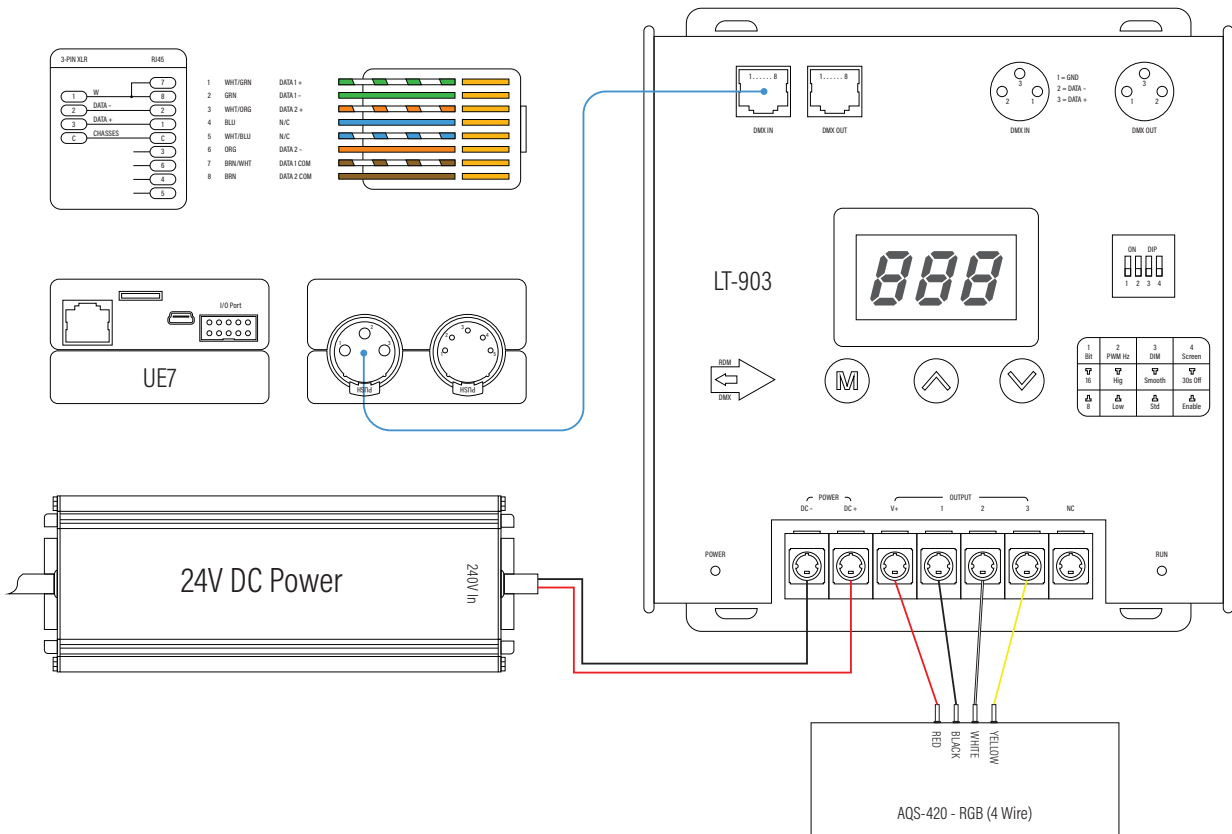


RGB  
24V DC  
DMX Dimming  
AQS-420

21



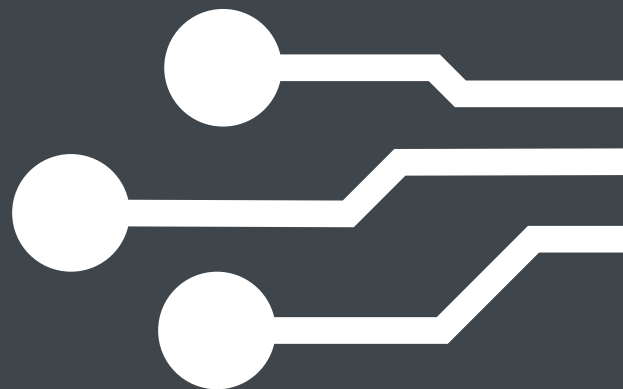
# Wiring Diagram



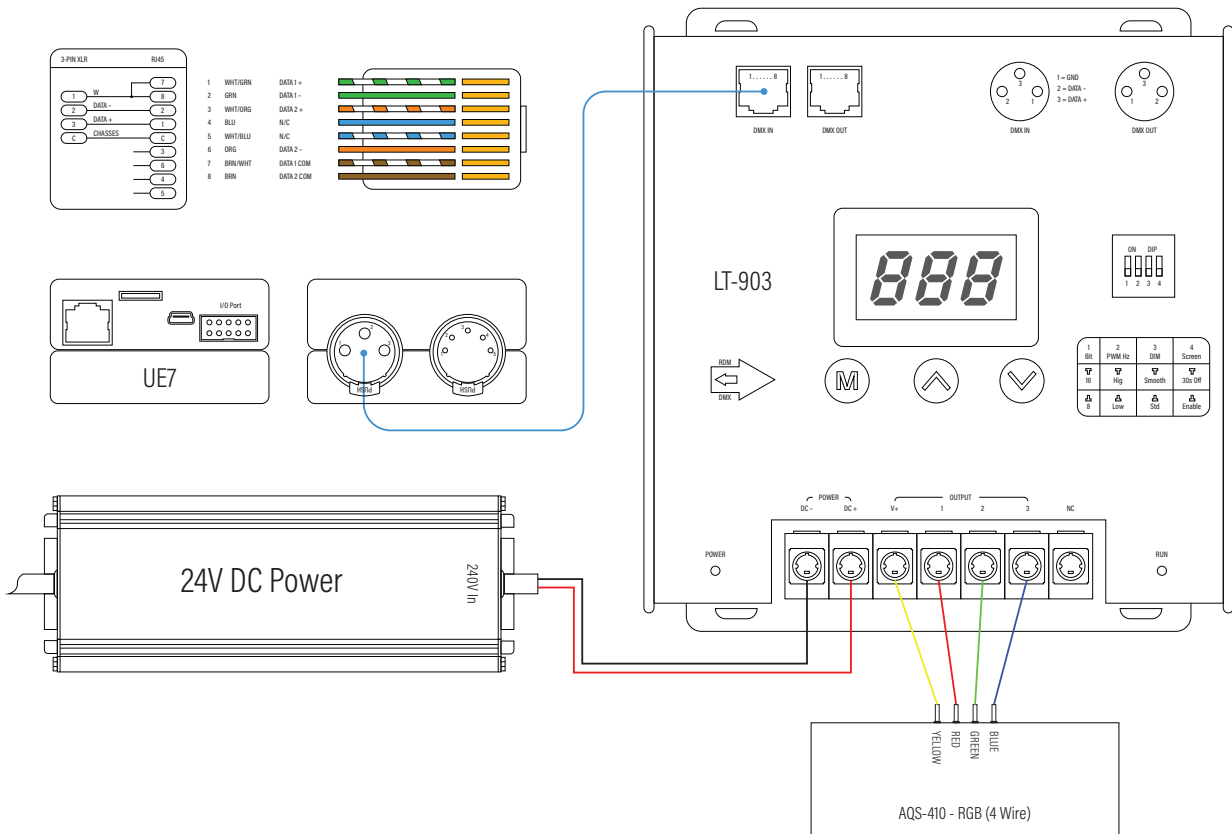
Setup allows for app control (needs to be on a wifi network), calender scene triggers, operation from control systems and scene triggering from external sources. 12 and 24 channel receivers also available. Receivers can be daisy chained. Up to 170 individual runs of neon flex per DMX universe with the appropriate amount of receivers. Up to 2 DMX Universes. Wall Controllers available. Max 10m strip run for single end feed and 20m double end feed.

RGB  
24V DC  
DMX Dimming  
AQS-410

22



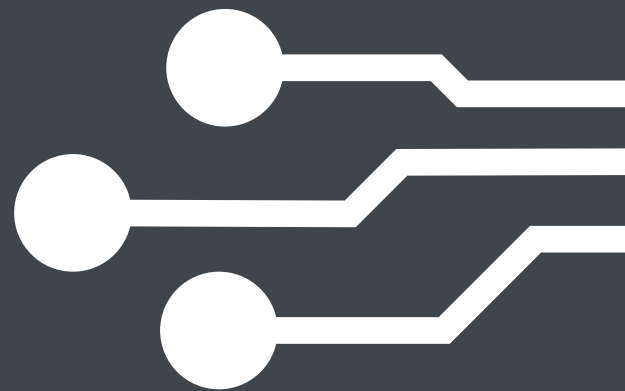
# Wiring Diagram



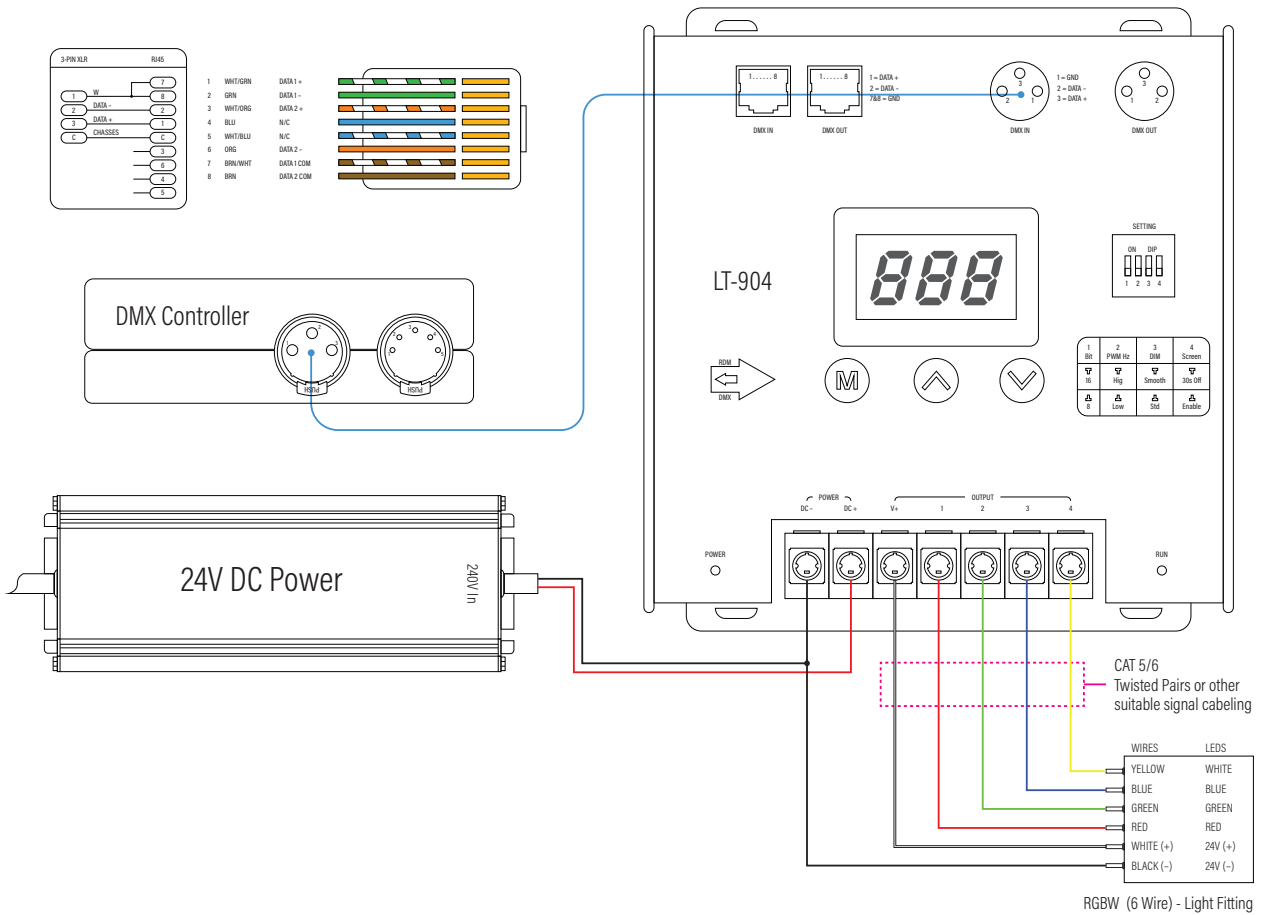
Setup allows for app control (needs to be on a wifi network), calendar scene triggers, operation from control systems and scene triggering runs from external sources. 12 and 24 channel receivers also available. Receivers can be daisy chained. Up to 170 individual runs of neon flex per DMX universe with the appropriate amount of receivers. Up to 2 DMX Universes. Wall Controller also available Max 10m strip run for single end feed and 20m double end feed.

RGBW  
24V DC  
DMX Dimming  
10W - Z0 Code

23

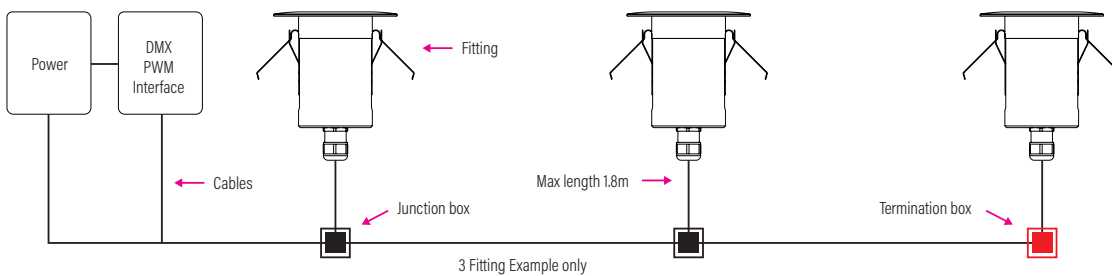


## Wiring Diagram



RGBW (6 Wire) - Light Fitting

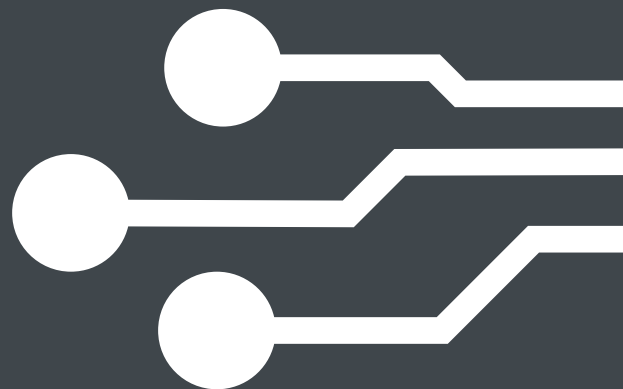
Multiple run diagram with junction boxes and terminator. Observe Local wiring rules. Run length is determined by transformer size, cable size and voltage drop calculations.



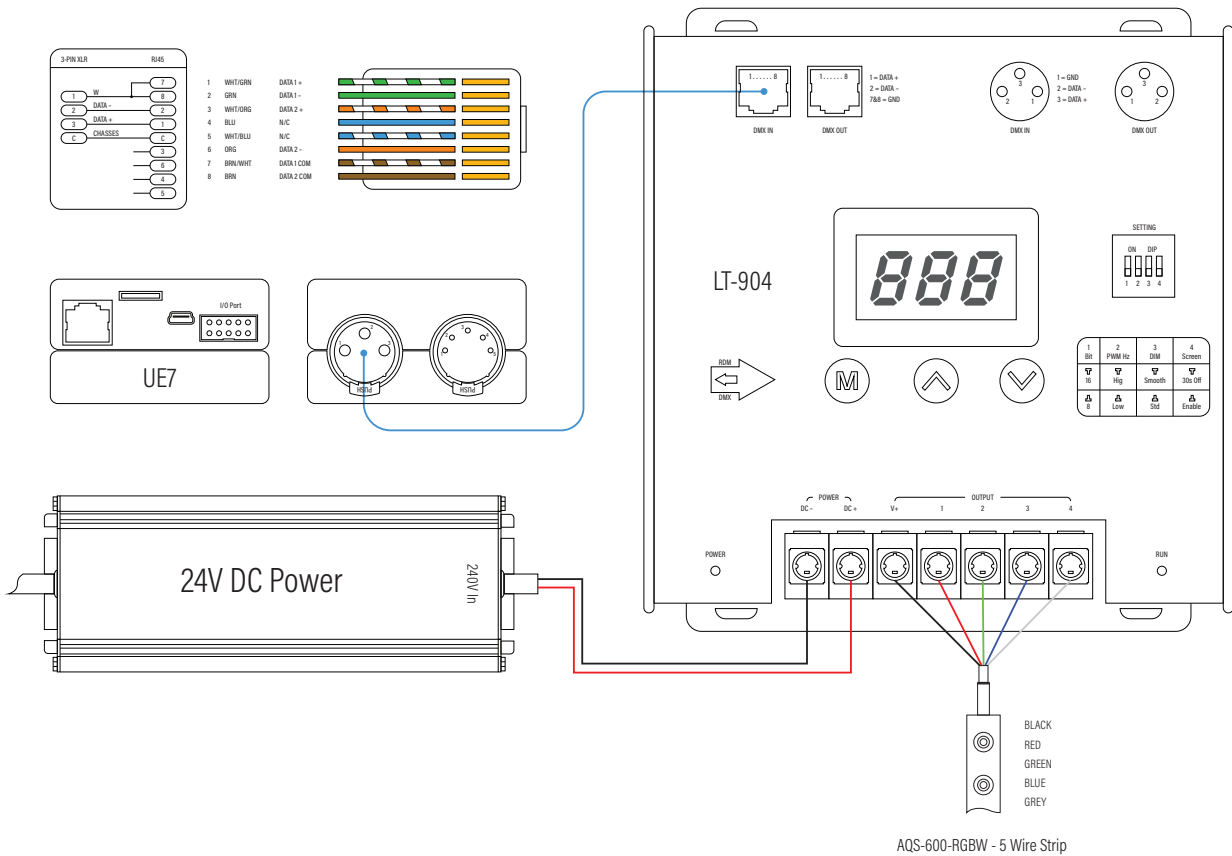
Setup app control (needs to be on a wifi network), calendar scene triggers, operation from control systems and scene triggering from external sources. 16 and 32 channel receivers available. Receivers can be daisy chained. Up to 128 individual fittings per DMX universe with the appropriate amount of receivers. Up to 2 DMX Universes. Wall Controllers available. Installations with a load greater than the controller/receiver capacity, the yellow V+ wire can be wired directly to the positive + wire from the power supply, up to 600W using a HLG-600H-24.

RGBW  
24V DC  
DMX Dimming  
AQS-600

24



# Wiring Diagram

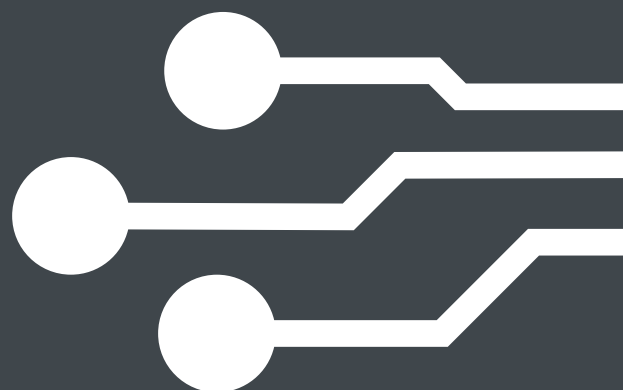


Setup allows for app control (needs to be on a wifi network), calender scene triggers, operation from control systems and scene triggering from external sources. 16 and 32 channel receivers available. Receivers can be daisy chained. Up to 128 individual runs of flexible wall washer per DMX universe with the appropriate amount of receivers. Max 5m strip run for single end feed.



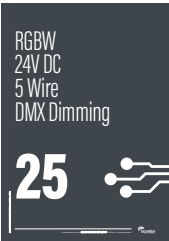
RGBW  
24V DC  
5 Wire  
DMX Dimming

25



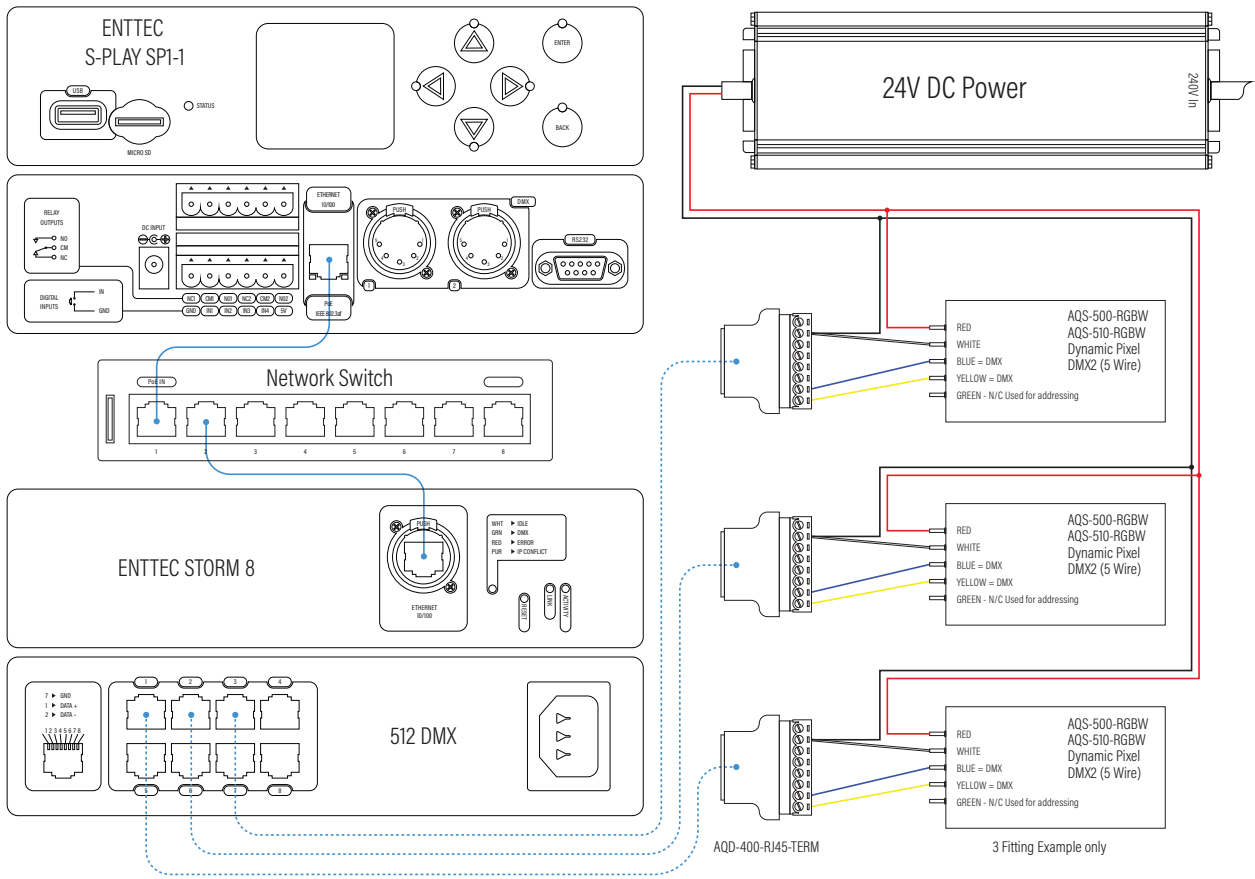
# RGBW - 24V DC - 5 Wire Dynamic Pixel DMX Dimming

## Wiring Diagram



**Aqualux Codes**

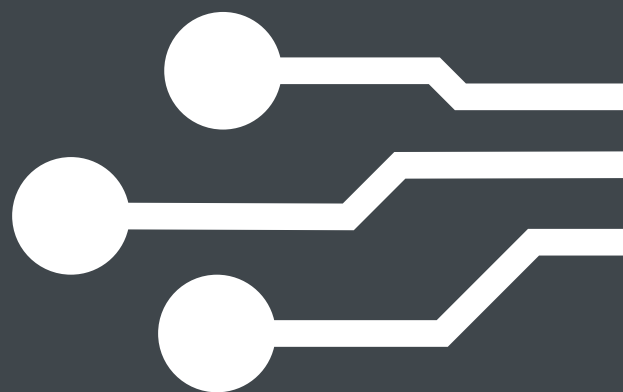
AQD24-040
AQD24-100
AQD24-240
AQD-400-ENT-Splay1
AQD-400-ENT-Storm8
AQD-400-RJ45-Term



Setup allows for app control, calendar scene triggers, operation from control systems and scene triggering from external sources. 18 Universes of DMX per S-Play Unit (Multiple units can be used for larger installations). 8 and 24 port Storm units available. Max 8m strip run for single end feed and 16m double end feed. Strip is directional (check cable entries and entry and exit tail lengths). Strip is addressable using DMX Writer.

# Mono Constant Current 2 Wire 1-10V Dimming

# 26



# Mono - 2 Wire - Constant Current - 1-10V Dimming

Mono  
Constant Current  
2 Wire  
1-10V Dimming

26



## Wiring Diagram

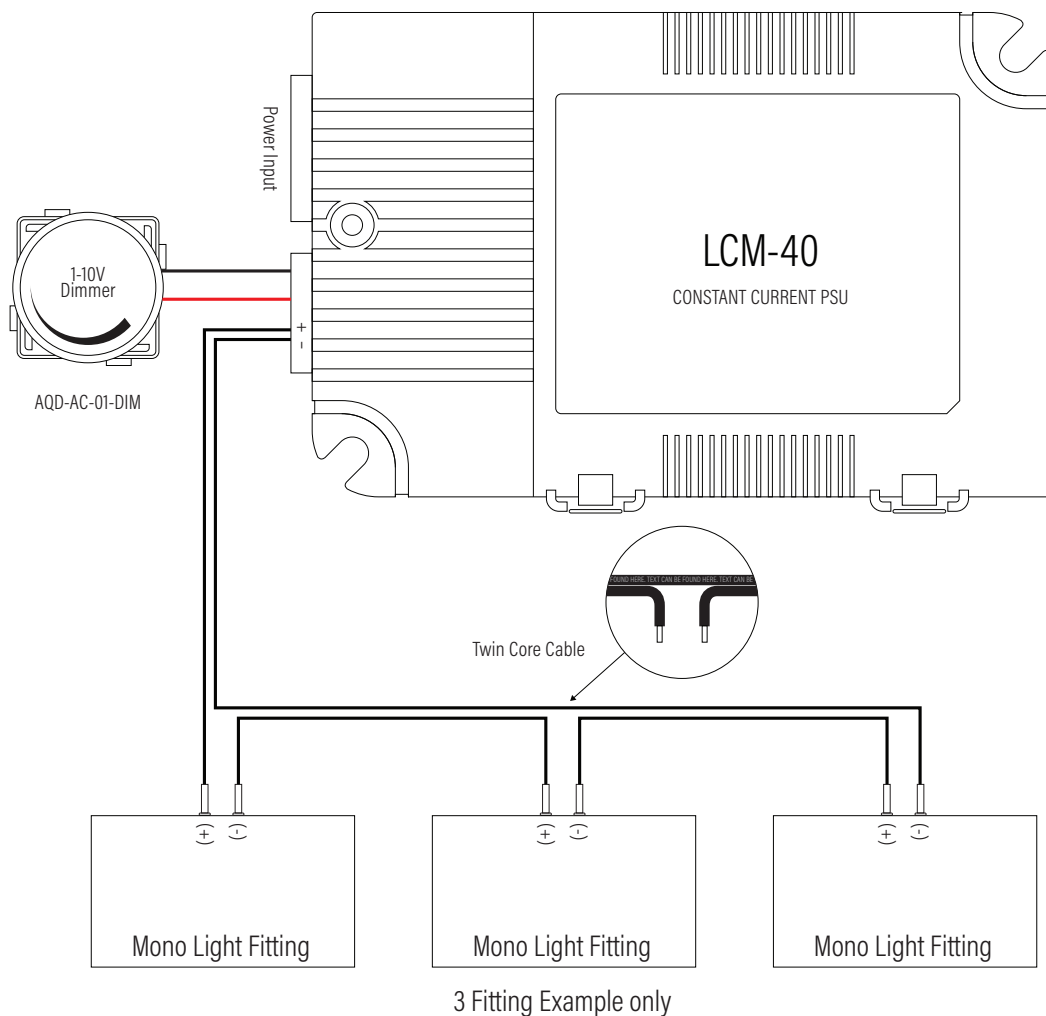
### Aqualux Codes

AQD24-040

AQD24-100

AQD24-240

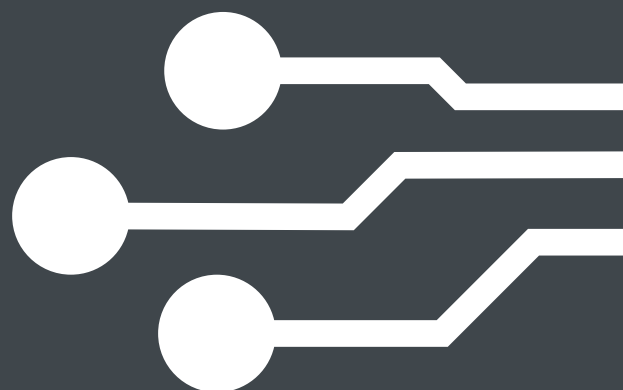
AQD-400-DIM-003



- Lights are connected in series, with the current flowing from one fitting to the next, from Positive (+) to Negative (-).
- Standard garden lighting cable can be used as long as each conductor (+/-) is identified and selected correctly at each fitting.
- Many cables have printed marks or molded features such as ribs to aid in conductor identification.
- Total circuit voltage must be correctly calculated. This is done by determining the forward voltage (Vf) of each fitting and multiplying by the number of fittings in the circuit. Circuit voltage must not exceed the max voltage of the constant current driver.
- Voltage drop is not an issue in constant current circuits as it is the current that is constant, not the voltage. The driver will increase the voltage of the circuit to compensate for losses up until the max voltage it is capable of.
- Ensure that the circuit voltage does not exceed SELV maximums for DC circuits, 120V as per AS/NZS 3000:2018.

RGBW  
24V DC  
6 Wire  
Casambi Dimming

27



# RGBW - 24V DC - 6 Wire - Casambi Connection

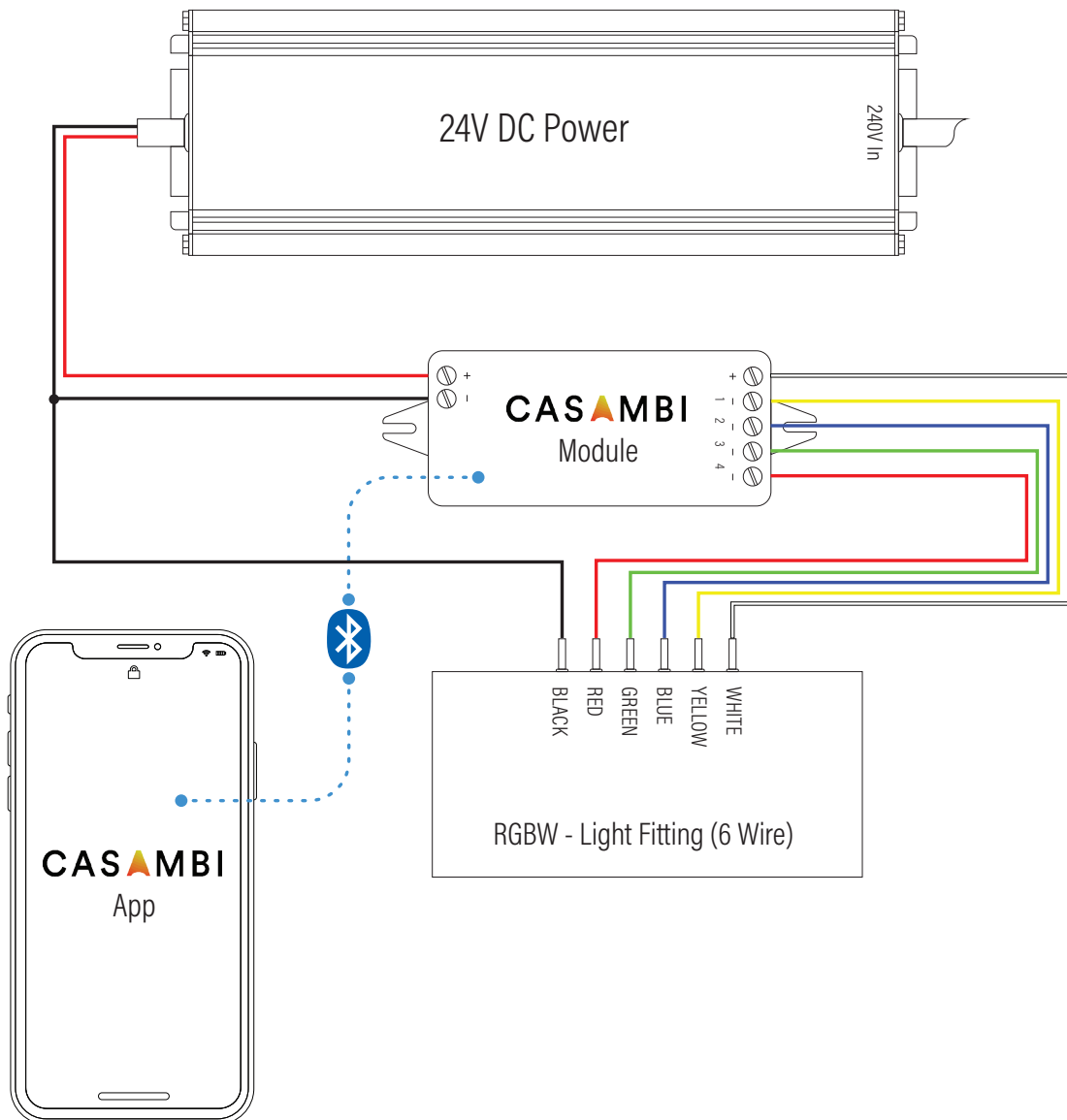
RGBW  
24V DC  
6 Wire  
Casambi Dimming

27 

## Wiring Diagram

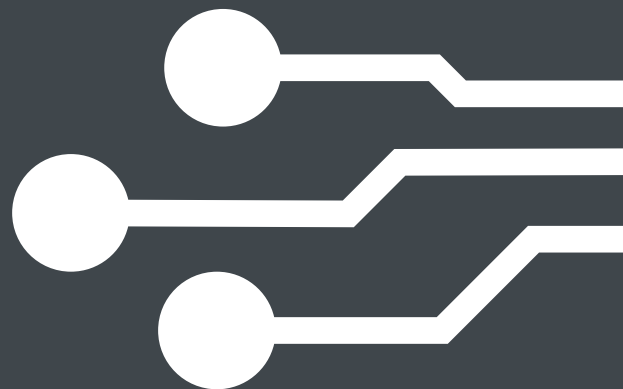
### Aqualux Codes

AQD24-040  
AQD24-100  
AQD24-240  
AQD-400-CB-CBU-PWM4

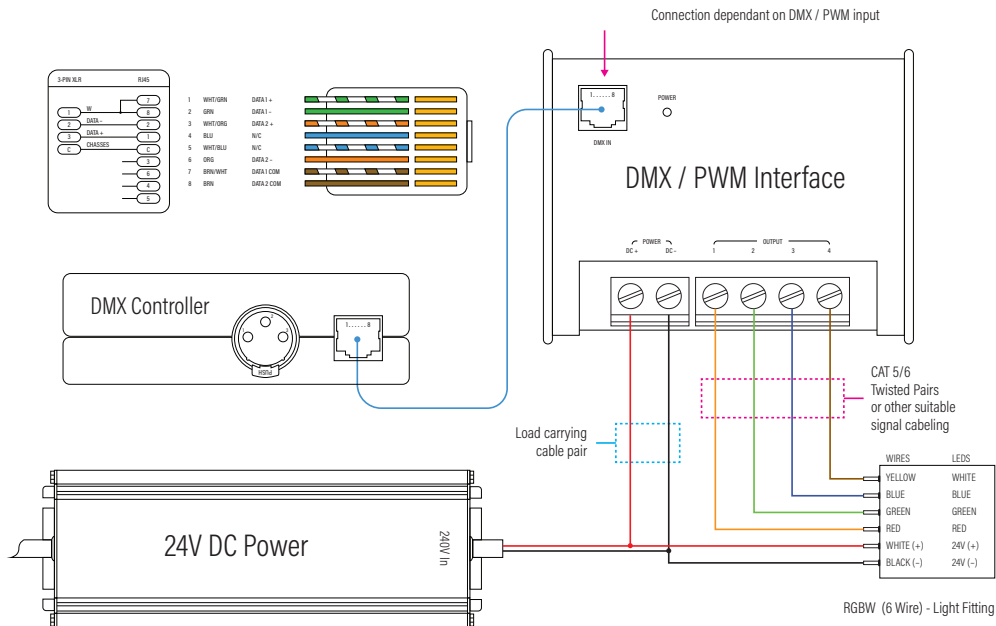


RGBW  
24V DC  
6 Wire  
DMX Dimming

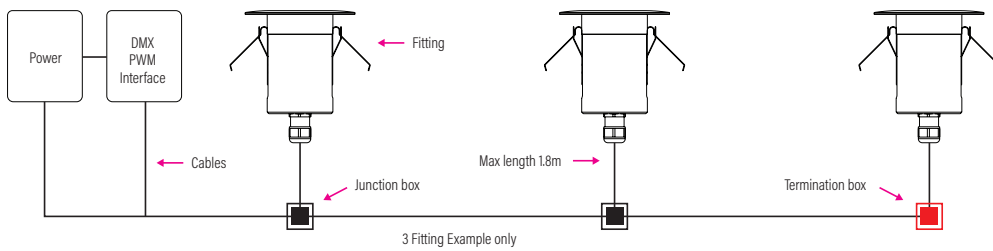
28



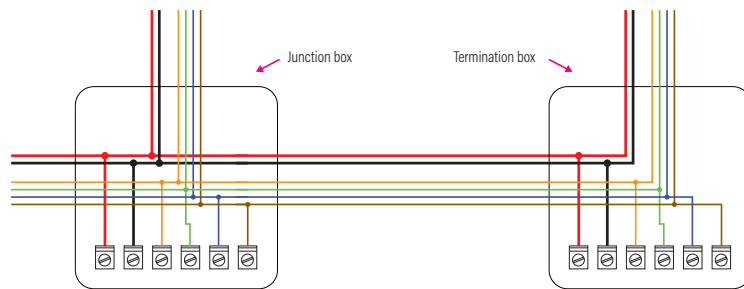
# Wiring Diagram



Multiple run diagram with junction boxes and terminator. Observe Local wiring rules. Run length is determined by transformer size, cable size and voltage drop calculations.



Conduit junction box and Termination box diagrams.

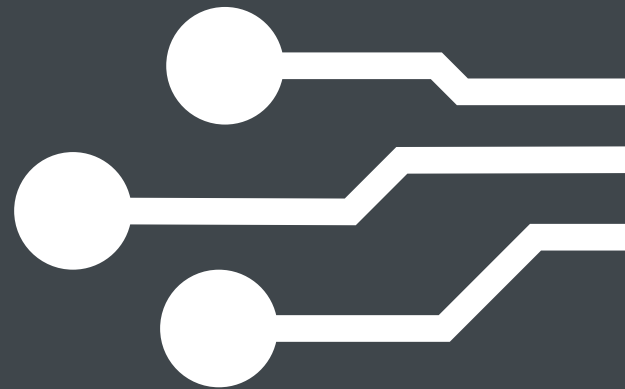


Trunk cabling supplied by others. All joins and junction boxes IP67 minimum.



RGBW  
24V DC  
6 Wire  
Philips Hue

29



# RGBW - 24V DC - 6 Wire - Philips Hue Connection

RGBW  
24V DC  
6 Wire  
Philips Hue



## Wiring Diagram

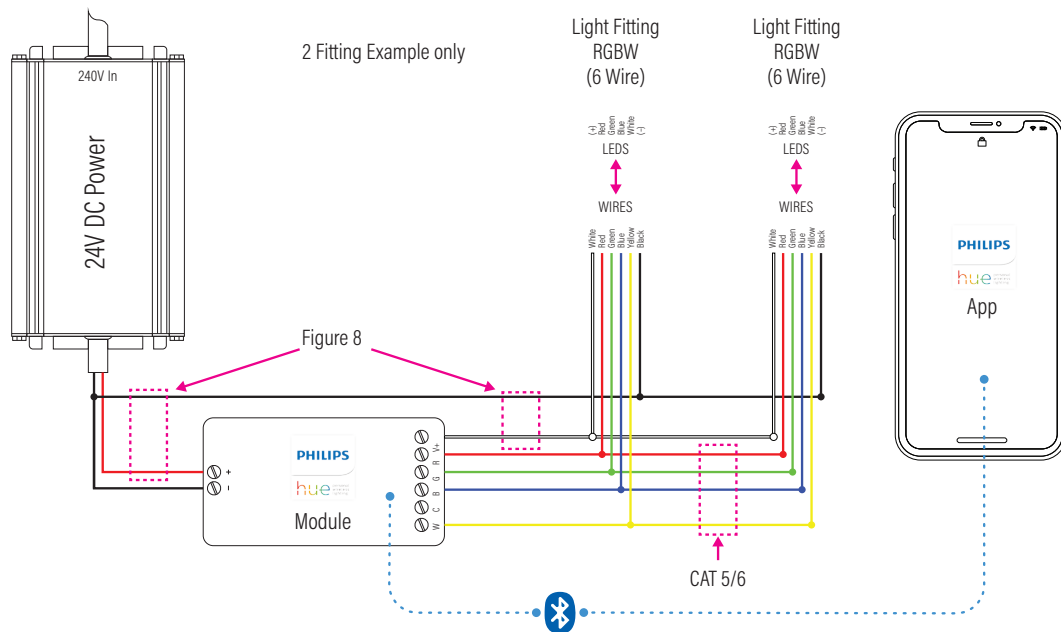
### Aqualux Codes

AQD24-040

AQD24-100

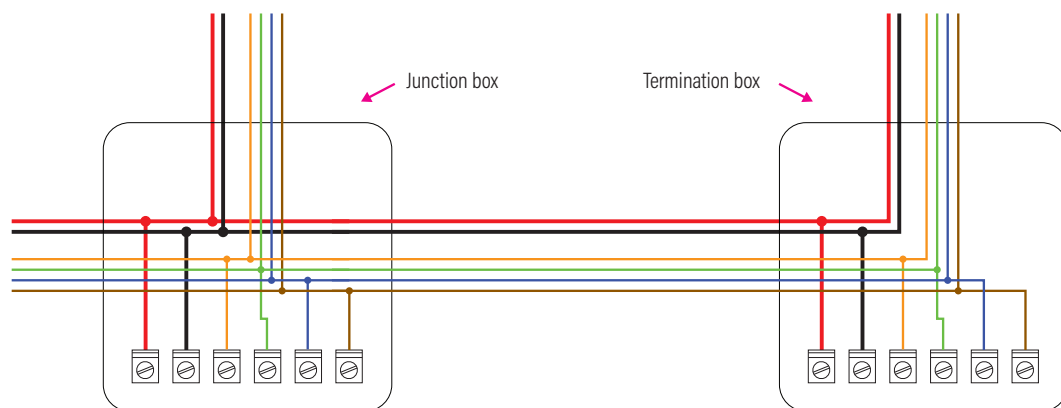
AQD24-240

AQD-400-HUE-01



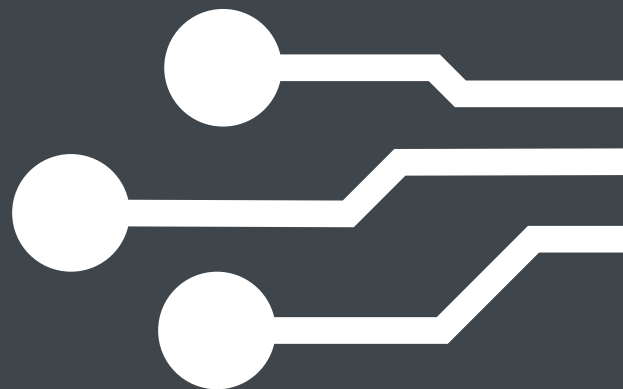
Multiple run diagram with junction boxes and terminator. Observe Local wiring rules.  
Run length is determined by transformer size, cable size and voltage drop calculations.

Conduit junction box and Termination box diagrams.



# Mono 24V AC 2 Wire Phase Cut Dimming

# 30



# Mono - 24V AC - 2 Wire - Phase Cut Dimming

Mono  
24V AC  
2 Wire  
Phase Cut Dimming



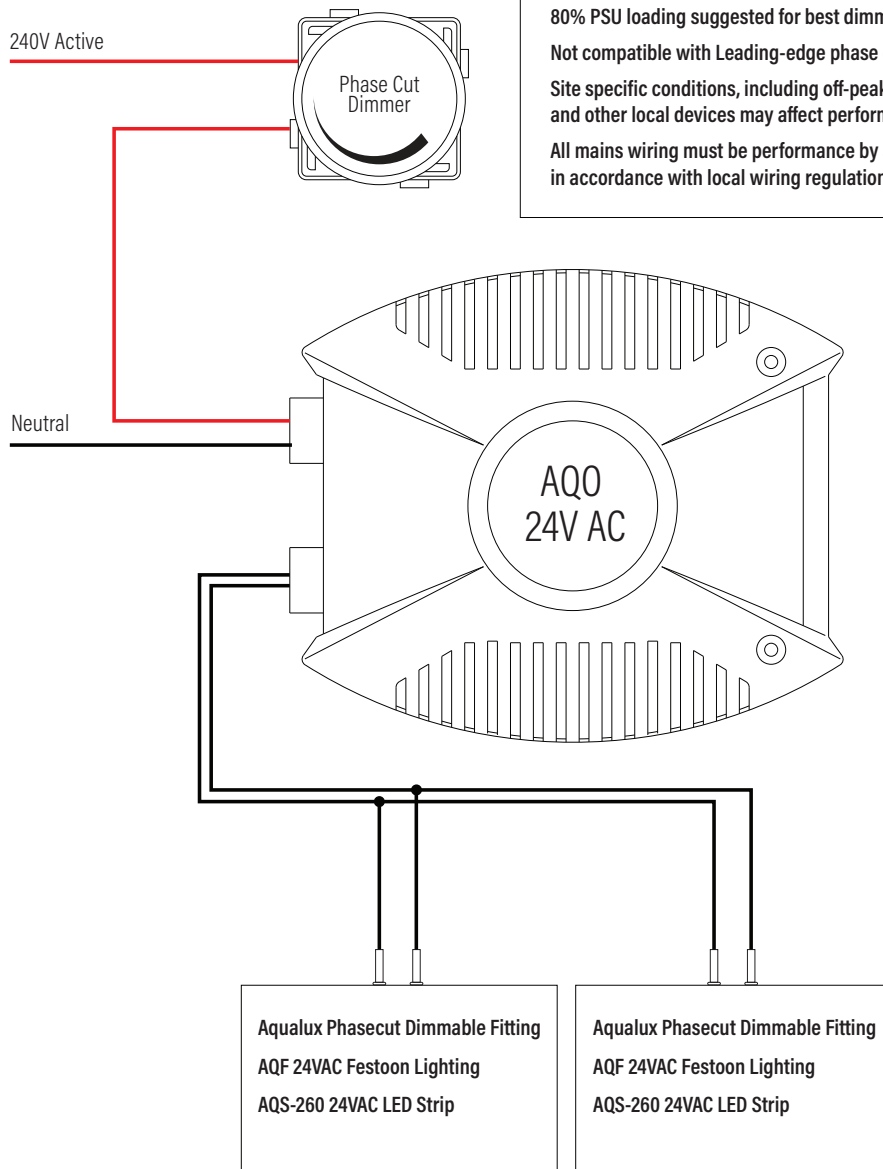
## Wiring Diagram

### Aqualux Codes

AQ012-020  
AQ012-050  
AQ012-100  
AQ012-150  
AQ012-200  
AQ024-050  
AQ024-100  
AQ024-200  
AQ024-300

### Phase-cut Installation Notes

Diginet MEDM Phase Adaptive Dimmer recommended  
80% PSU loading suggested for best dimming performance  
Not compatible with Leading-edge phase cut dimmers  
Site specific conditions, including off-peak ripple frequencies and other local devices may affect performance  
All mains wiring must be performed by a licensed electrician and in accordance with local wiring regulations

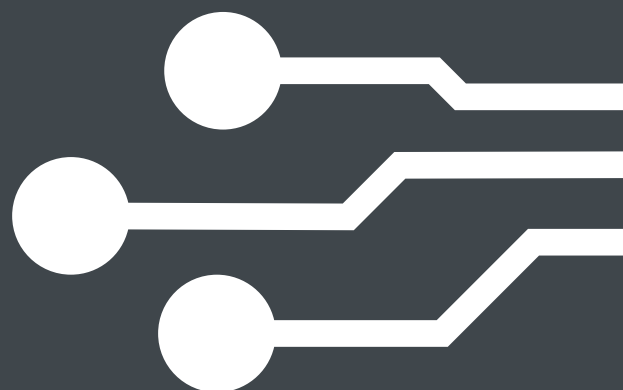


2 Fitting Example only

Aqualux fittings must be ordered as Phasecut dimmable. Driver code "D"

# Mono 1-10V 2 Wire Dimming

# 31



Mono - 24V DC - 2 Wire - 1-10V Dimming

Mono  
1-10V  
2 Wire  
Dimming

31



## Wiring Diagram

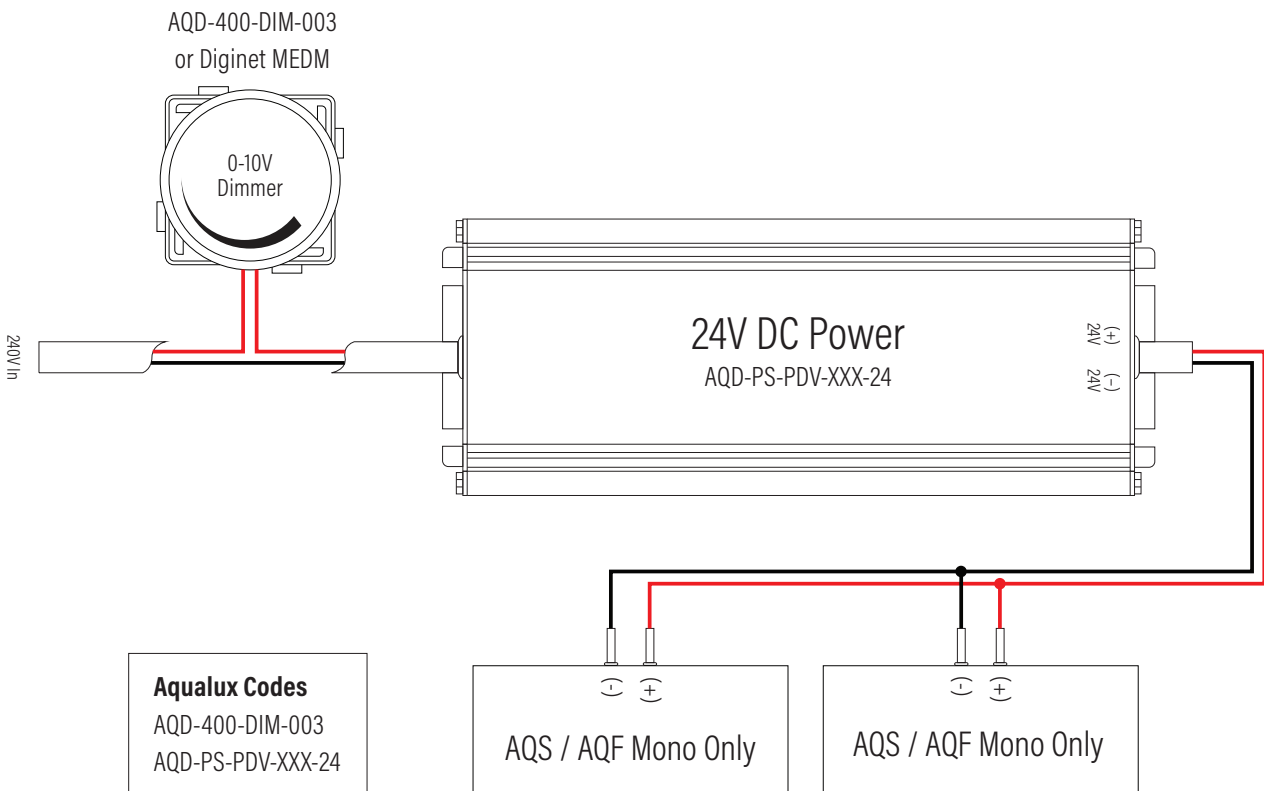
### Aqualux Codes

AQD24-040

AQD24-100

AQD24-240

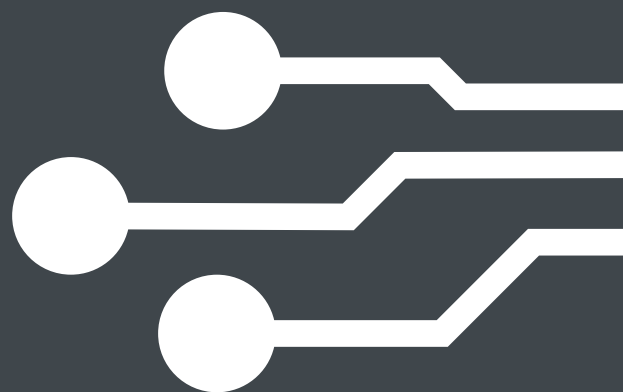
AQD-400-DIM-003



2 Fitting Example only

Mono  
24V DC  
4 Wire  
Dali Integrated Dim


32



# Mono - 24V DC - 4 Wire - Dali Integrated Dimming

Mono  
24V DC  
4 Wire  
Dali Integrated Dim

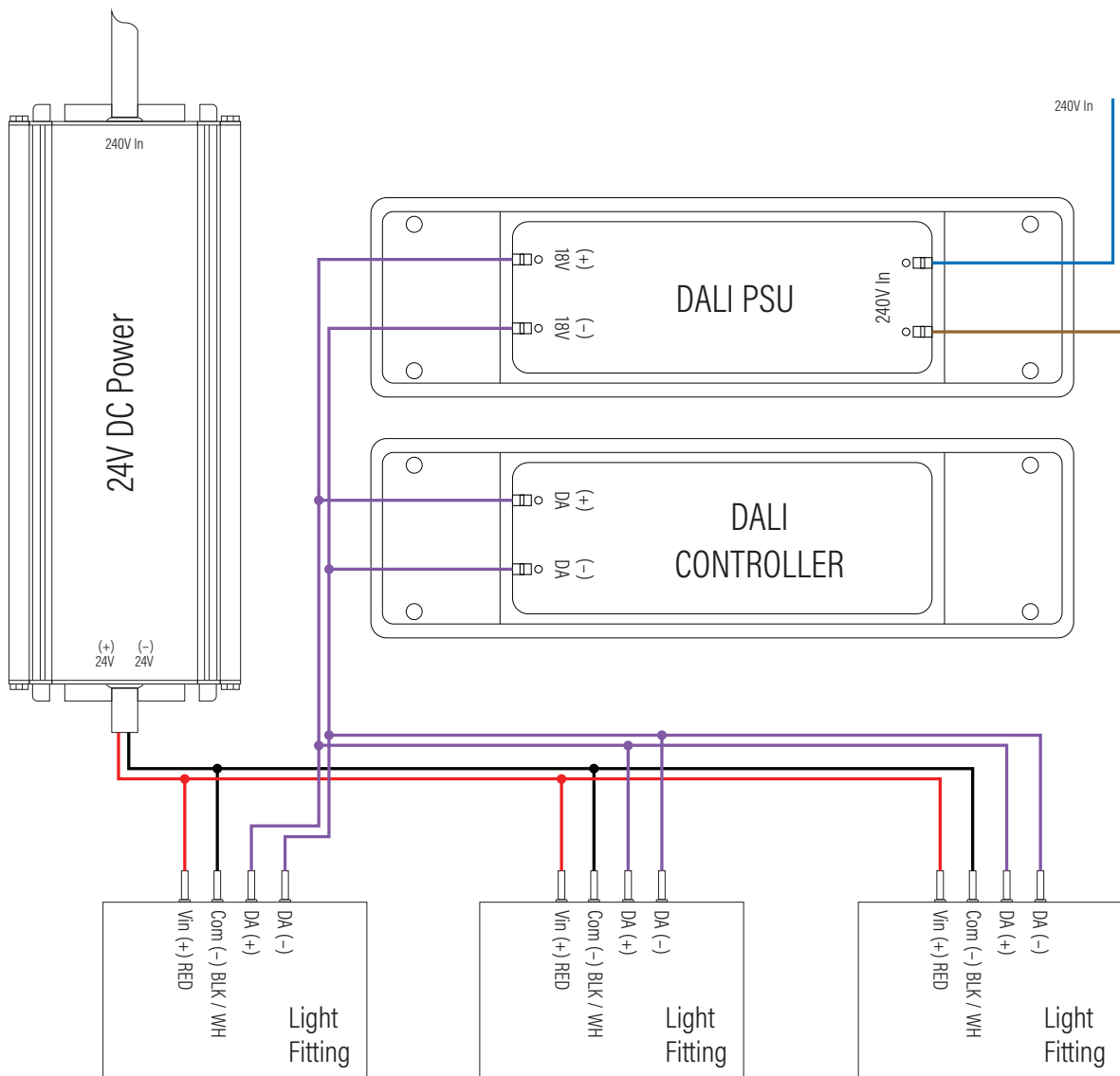
**32**



## Wiring Diagram

**Aqualux Codes**

AQD24-040
AQD24-100
AQD24-240
AQD-400-T3CV

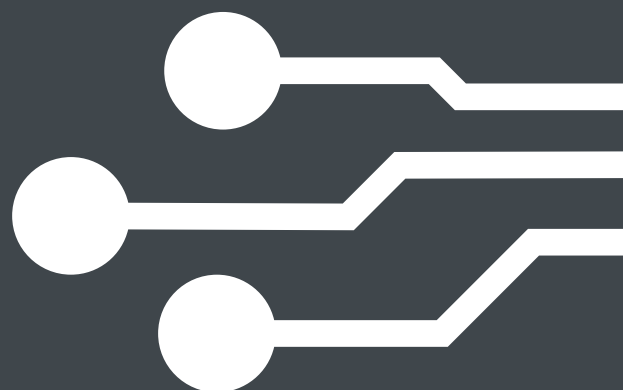


3 Fitting Example only



Mono  
24V DC  
2 Wire  
PWM Dimming

33



# Mono - 24V DC - 2 Wire - PWM Dimming

## Wiring Diagram

Mono  
24V DC  
2 Wire  
PWM Dimming

33



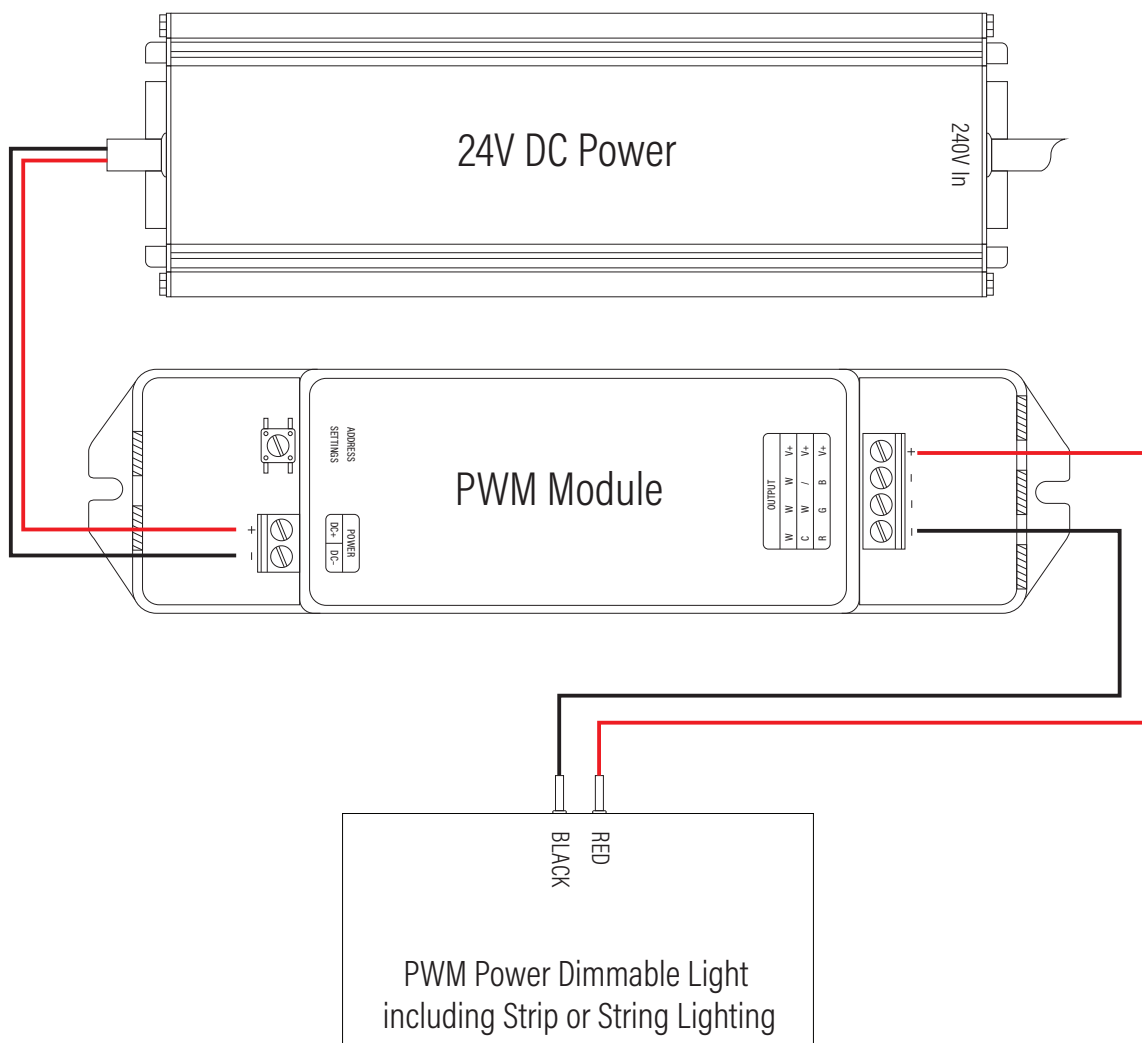
### Aqualux Codes

AQD24-040

AQD24-100

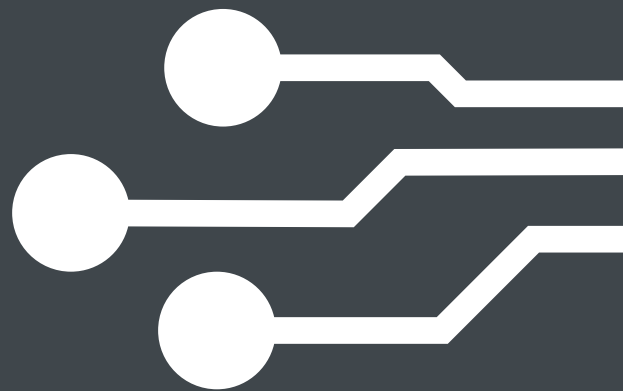
AQD24-240

AQD-400-T3CV



# RGB 24V DC PWM Dimming Strip Lighting

# 34

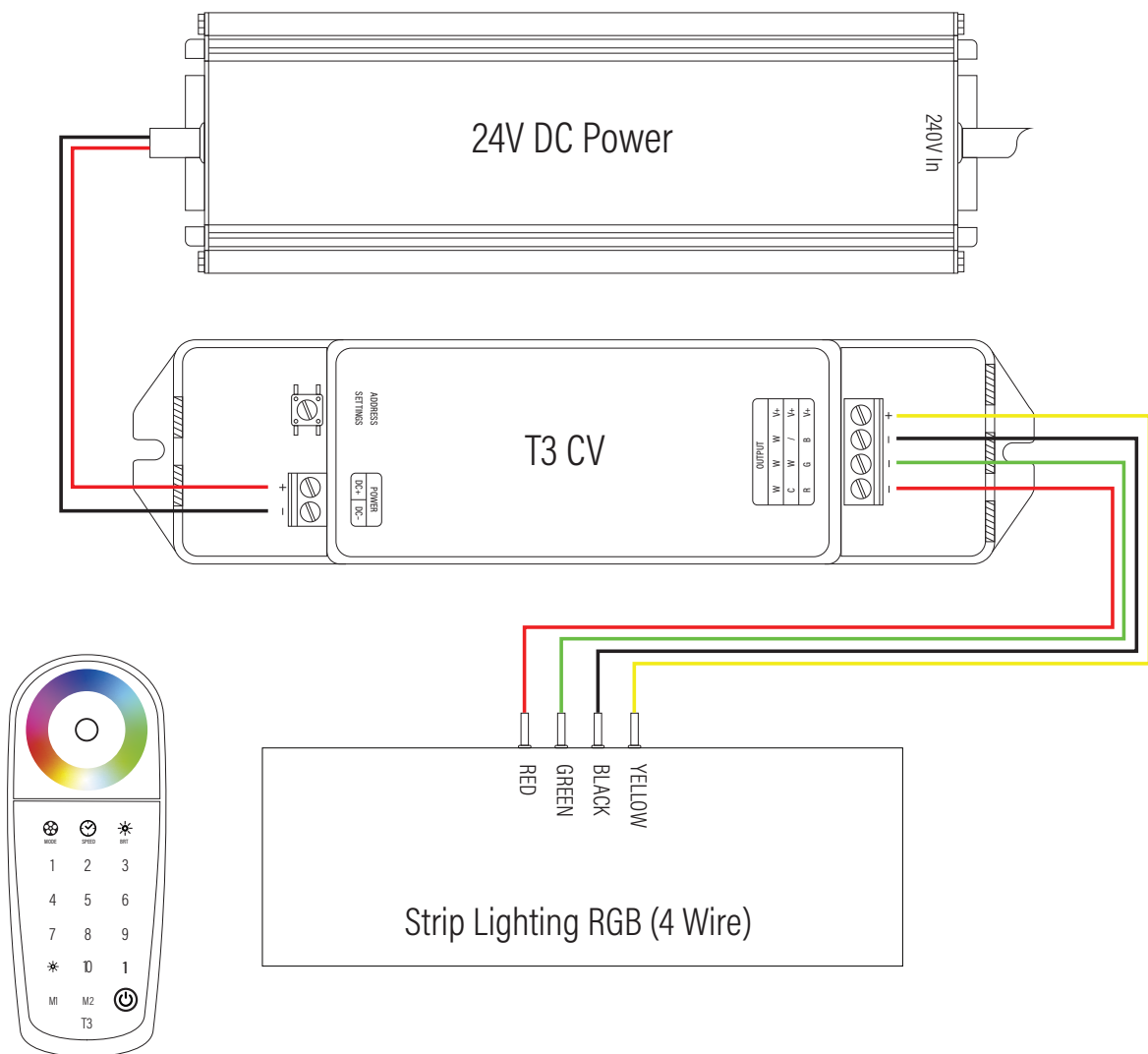


# 4 Wire Strip - RGB - T3 Remote

RGB  
24V DC  
PWM Dimming  
Strip Lighting

34 

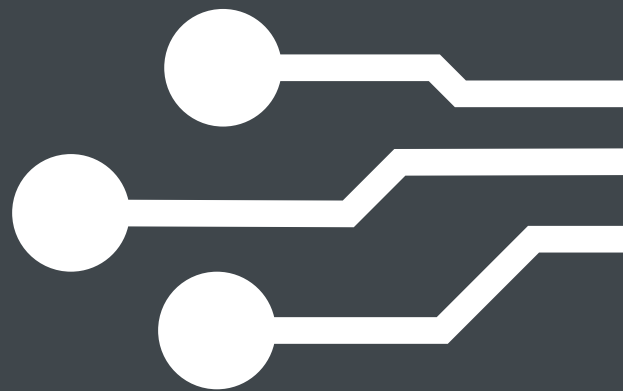
## Wiring Diagram



Wireless 3 channel with zoning. Max 432W 3 channel @ 24VDC. Up to 10 zones can be controlled from T3M remote. RF Range 30m (Line of sight). Unlimited numbers of T3CV's can be added to each zone. Max 10m strip run for single end feed and 20m double end feed.

RGBW  
24V DC  
5 Wire  
DMX Dimming

35



# RGBW - 12V DC - 5 Wire Dynamic Pixel DMX Dimming

## Wiring Diagram

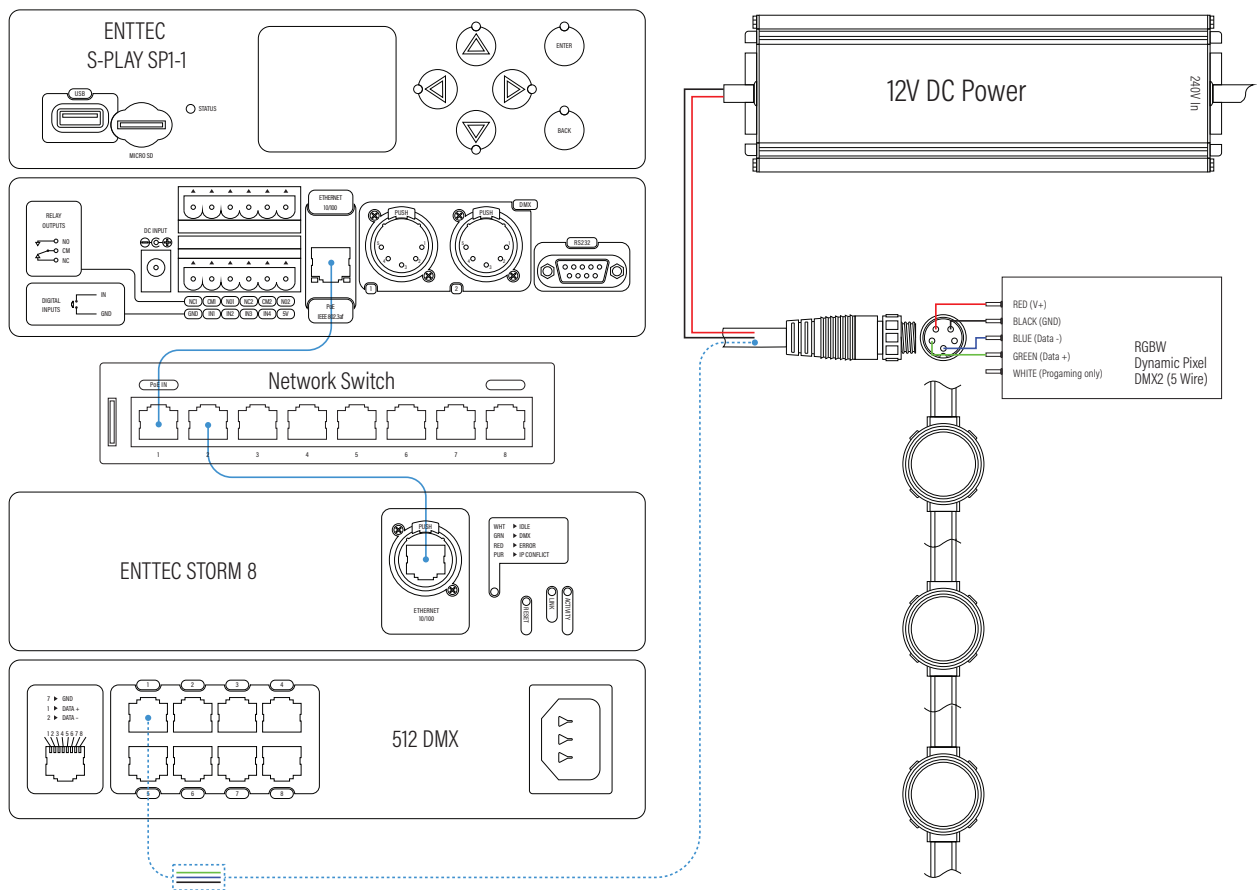
RGBW  
24V DC  
5 Wire  
DMX Dimming

35



### Aqualux Codes

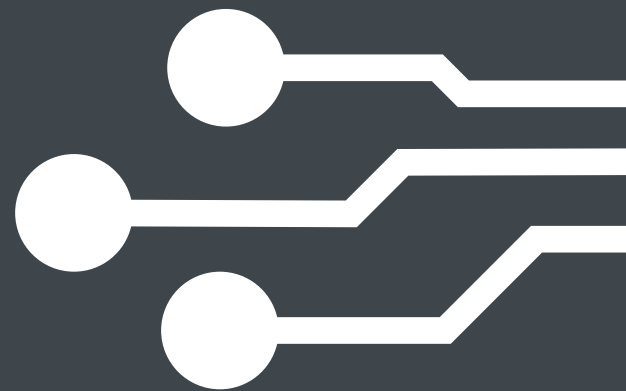
- AQD24-040
- AQD24-100
- AQD24-240
- AQD-400-ENT-SPLAY1
- AQD-400-ENT-STORM8



Setup allows for app control, calendar scene triggers, operation from control systems and scene triggering from external sources. 18 Universes of DMX per S-Play Unit (Multiple units can be used for larger installations). 8 and 24 port Storm units available. Max 8m strip run for single end feed and 16m double end feed. Strip is directional (check cable entries and entry and exit tail lengths). Strip is addressable using DMX Writer.

Mono  
24V DC  
2 Wire  
Single Ended/No Dim

36



Mono - 24V DC - 2 Wire - Single Ended - No Dimming

Mono  
24V DC  
2 Wire  
Single Ended/No Dim

36



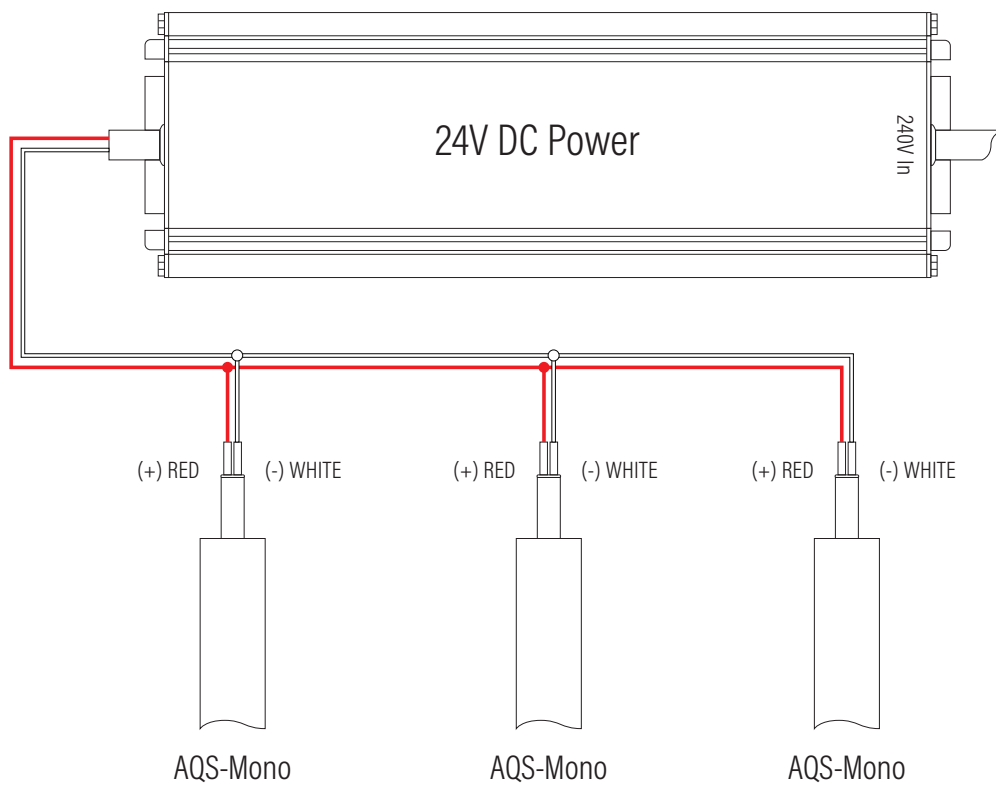
## Wiring Diagram

### Aqualux Codes

AQD24-040

AQD24-100

AQD24-240

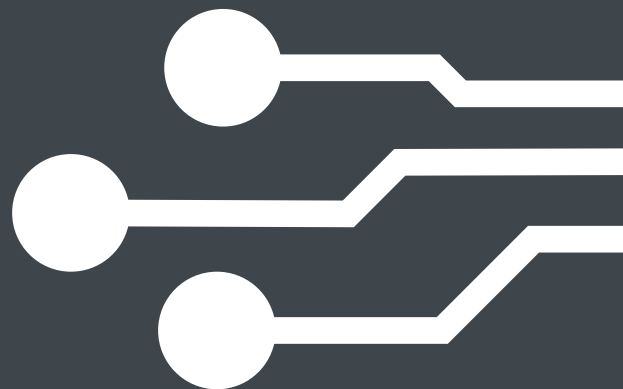


Check website for single end run lengths  
3 Fitting Example only



Mono  
24V DC  
Double Ended  
No Dimming

37




# Mono - 24V DC - Double Ended - No Dimming

## Wiring Diagram

Mono  
24V DC  
Double Ended  
No Dimming

**37**

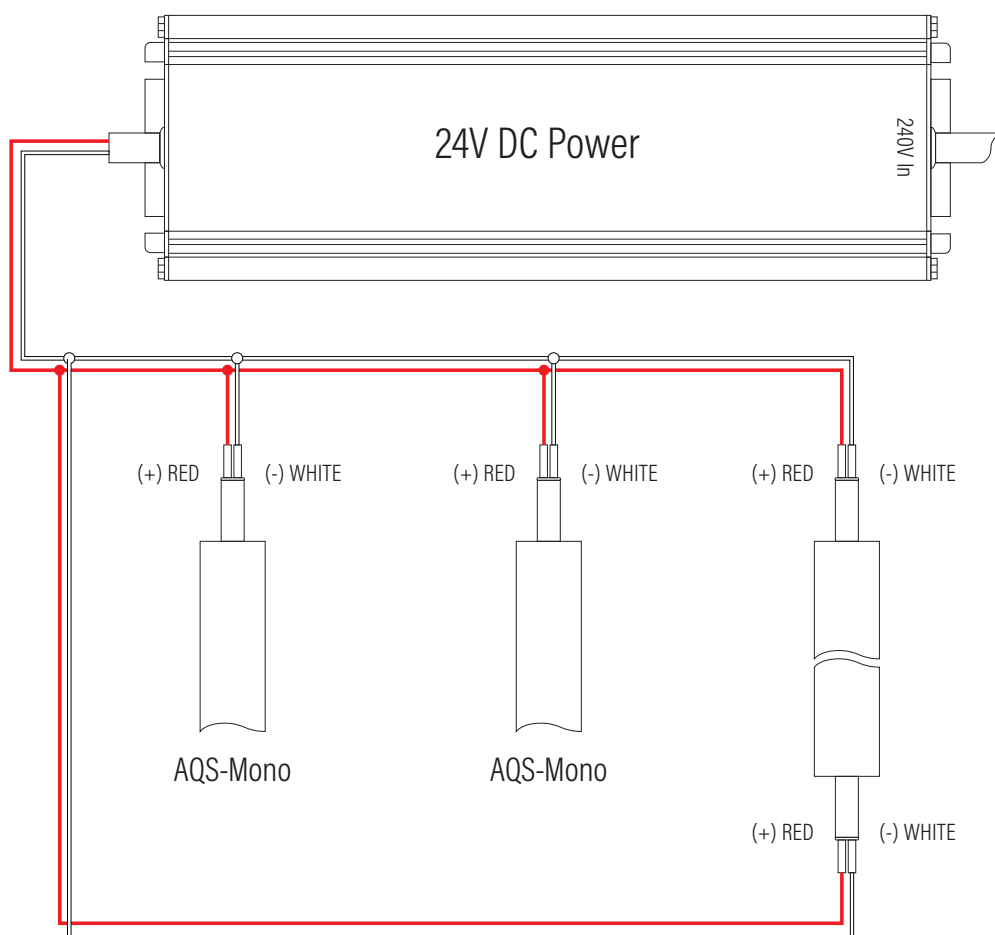


### Aqualux Codes

AQD24-040

AQD24-100

AQD24-240

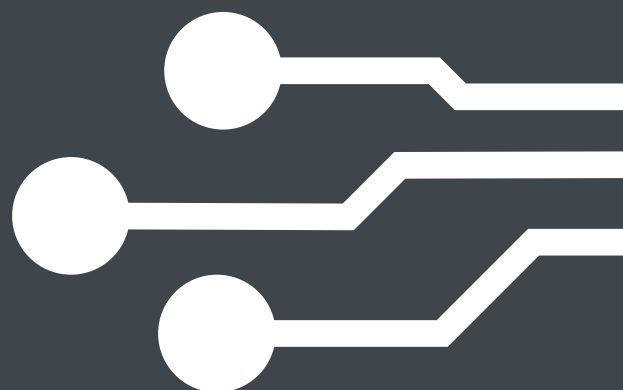


Check website for double end run lengths  
3 Fitting Example only

AQS-Mono

Mono  
24V DC  
2 Wire  
CV Dali Dimming

38



# Mono - 24V DC - 2 Wire - Constant Voltage - DALI Dimming

## Wiring Diagram

Mono  
24V DC  
2 Wire  
CV Dali Dimming

38



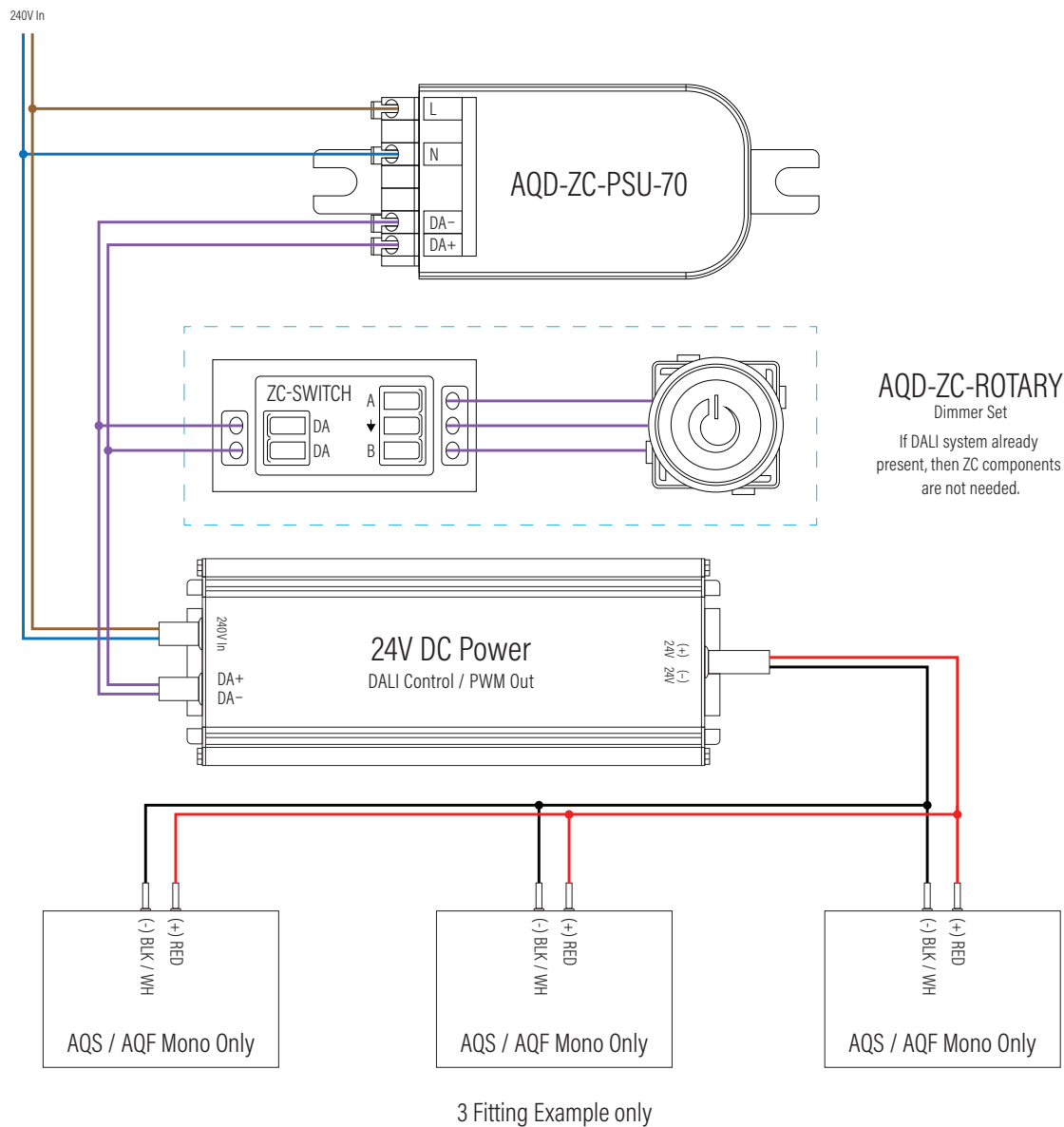
### Aqualux Codes

AQD-ZC-PSU-70

AQD-ZC-Rotary

AQD-PS-LDVP-XXX-24

AQD-PS-DDV-XXX-24



Dali dimming for mono fittings with 3 wire cable.

# The Complete Set of Diagrams

# 0

