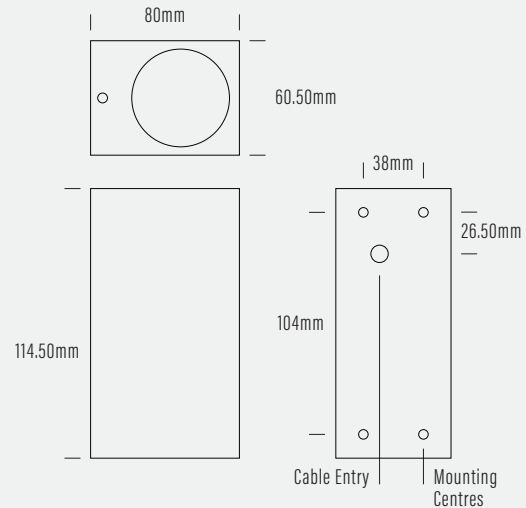


# AQL-601 Prism Wall Up/Down Light

Prism shaped wall light with a twin light output. Up/Down.



## Specifications

Product	AQL-601
Product Code	See table on right
Construction Material	Cast Aluminium & Powder Coat
Cable	Terminal Block
IP Rating	IP54
Warranty	3 Year Aqualux Warranty
Body Colour	Black (A2) / White (A8)
Control Gear	24VDC or 240VAC
Rated Power	14W
Nominal Lumens	1230 lm
CCT/Colour	3000K
Optical	70°
CRI	80
Dimming	PWM 10V Dimming / No Dimming 240V

## Product Code

AQL-601-A2-K0143070T  
 AQL-601-A2-F0143070T  
 AQL-601-A8-K0143070T  
 AQL-601-A8-F0143070T

<b>IP54</b>	Ingress Protection	<b>3Y</b>	Years Warranty
-------------	--------------------	-----------	----------------

## Installation Instructions

Product Code	Description
Installation Type	Wall / Surface Mounted
Input Voltage	220 - 240VAC 50Hz
IP Rating	54
Protection Class	Class 1 - Requires Earth
Luminaire Type	Integrated LED
Luminaire Wattage	2 x 7W LED

### Installation Guidelines

- Ensure electrical circuits are disconnected and have no chance of accidental connection while you work.
- Loosen external grub screws using allen key supplied and remove backing plate.
- Ensure the intended install surface is smooth and free from deformations.
- Apply silicone around the back of the plate to ensure water does not pass into electrical connections.
- Fix the backing plate securely to the wall/surface using components supplied.
- Connect earth wire first, then live and then neutral. Check connections carefully.
- Attach light to the backing plate and reattach grub screws.

### Important

- Fitting must be installed by a licensed electrician in accordance with AS/NZS 3000.
- This fitting has no serviceable components. If the LED fails, do not attempt to replace.
- Disconnect all mains before installation.
- Do not use any other parts other than those supplied.
- Do not modify fitting in any way. This will void warranty and may result in damage or harm.

### Information for end user

- Only operate the product if it is working correctly.
- Contact your installer if
  - Light stops working
  - Glass is broken or there is some other visible damage
  - Smoke or other obvious fault has occurred
  - Do NOT fasten or hang anything from light
  - Do NOT let children climb or hang from the light

## Installation Steps

