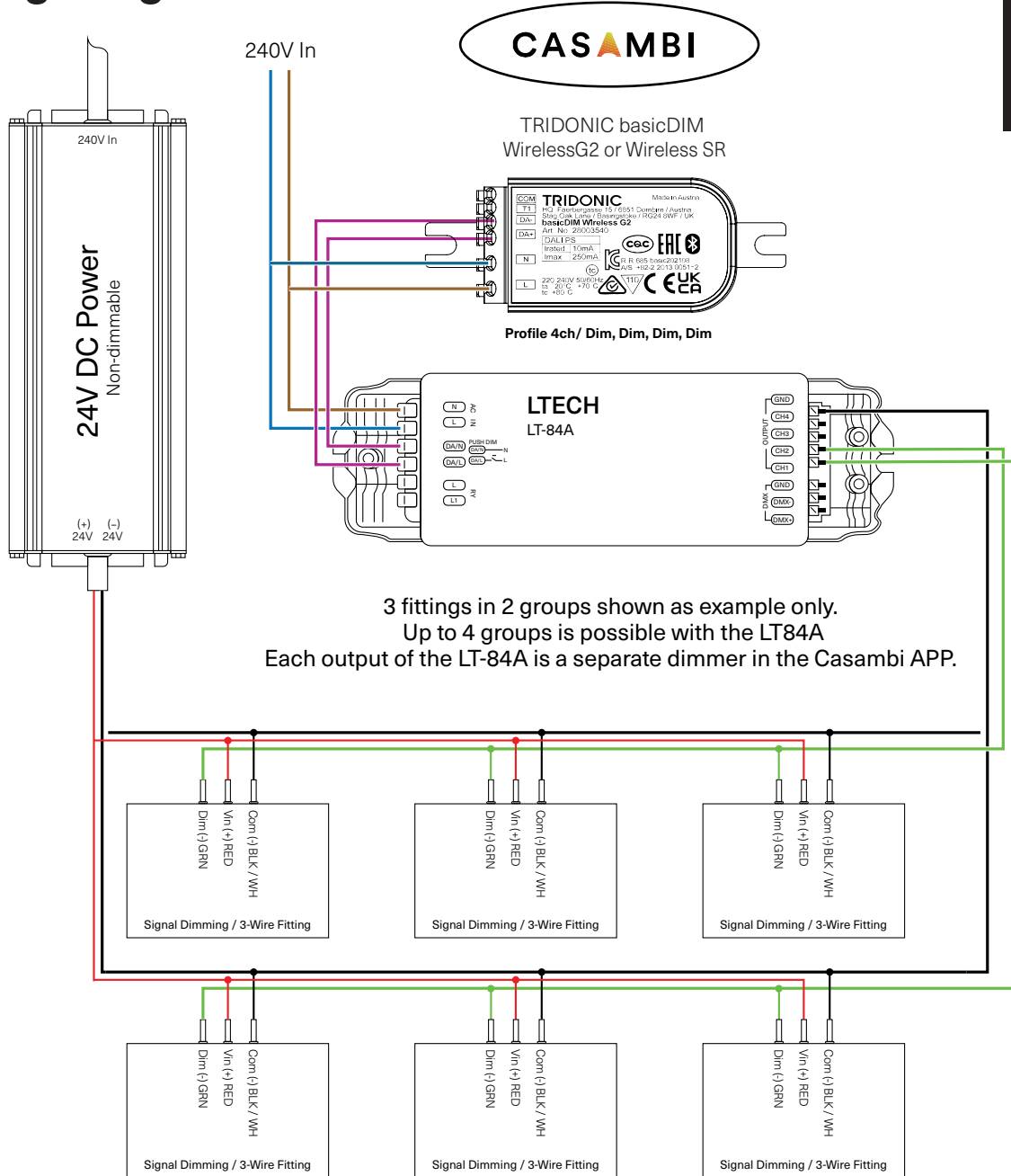


## Wiring Diagram



**Part Codes**

AQD24-040
AQD24-100
AQD24-240
AQD-400-LT84A
AQD-TRI-28003540
or
AQD-TRI-28003542



TRIDONIC Casambi Profile Settings

Dali dimming for mono fittings with 3 wire cable.

## Additional Notes

- The LT-84A has replaced the DAP-04 interface module from mid-2024.
- The Tridonic basicDIM Wireless G2 can address and operate up to 4 channels
- Refer to the basicDIM Profile document (QR Code above) to ensure correct profile is selected.
- In the above example, only 2 groups are shown for illustration purposes.
- Note that a non-dimmable 24V PSU is utilised.