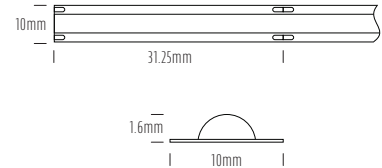


AQS-170 / Mono

AQS-170 is the latest technology in LED Strip lighting. Use for internal illumination, the COB LED Strip minimises the issue of dark LED dots for a clean continuous linear light source.

COB Strip



Product	AQS-170-Mono
Voltage	24V DC
Watts (per Meter)	5W / 10W / 15W
IP Rating	IP20
Lumen Output (per Meter)	400lm - 1418lm
CCT & Colour Options	2000k / 2700k / 3000k / 4000k / 6500k
Working Mode	Constant Voltage (PWM) / DMX
Max Length (Single Power Feed)	5m
Max Length (Double Power Feed)	10m
Cut Interval	31.25mm
Bend Direction	Vertically
Minimum Bend Diameter	50mm
LED Type	Sanan COB
LED Qty / M	512pcs
Lumen Maintenance	50,000 Hours L70@30°C
Materials	3M Adhesive Backing
Emission Angle	180°
Operating Temperature	-20° to +40°C
Installation Temperature	5° to +35°C
Warranty	3 Year Aqualux Warranty

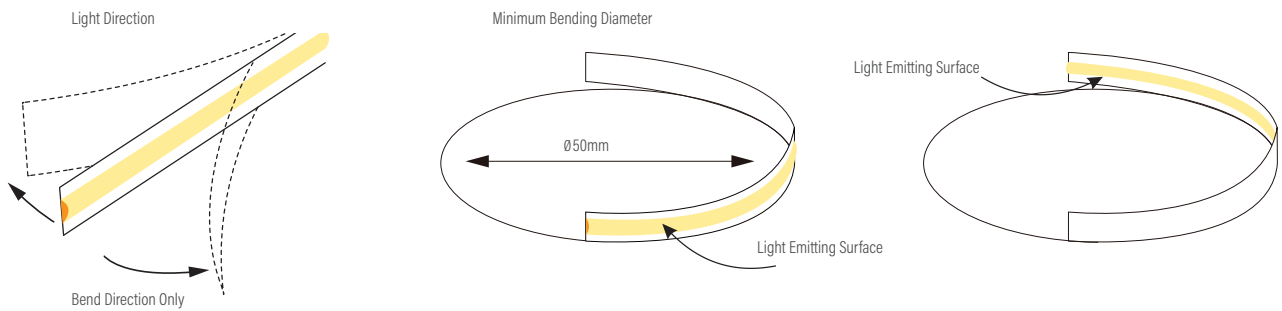
CONFIGURE	
AQS-170-20A05	2000K / 24VDC / 5W
AQS-170-27A05	2700K / 24VDC / 5W
AQS-170-30A05	3000K / 24VDC / 5W
AQS-170-40A05	4000K / 24VDC / 5W
AQS-170-65A05	6500K / 24VDC / 5W
AQS-170-20A10	2000K / 24VDC / 10W
AQS-170-27A10	2700K / 24VDC / 10W
AQS-170-30A10	3000K / 24VDC / 10W
AQS-170-40A10	4000K / 24VDC / 10W
AQS-170-65A10	6500K / 24VDC / 10W
AQS-170-20A15	2000K / 24VDC / 15W
AQS-170-27A15	2700K / 24VDC / 15W
AQS-170-30A15	3000K / 24VDC / 15W
AQS-170-40A15	4000K / 24VDC / 15W
AQS-170-65A15	6500K / 24VDC / 15W

COB Strip

Mounting Extrusion and Diffuser



Bending Directions



COB Strip

Variations

Product Code	CCT Kelvin	Voltage Direct Current	Watts Meter	Lumens Meter	Min Run Single End	Max Run Double End
AQS-170-20A5	2000K	24V DC	5W	400lm	5m	10m
AQS-170-27A5	2700K	24V DC	5W	481.9lm	5m	10m
AQS-170-30A5	3000K	24V DC	5W	519.1lm	5m	10m
AQS-170-40A5	4000K	24V DC	5W	575lm	5m	10m
AQS-170-65A5	6500K	24V DC	5W	560.7lm	5m	10m
AQS-170-20A10	2000K	24V DC	10W	800lm	5m	10m
AQS-170-27A10	2700K	24V DC	10W	957.3lm	5m	10m
AQS-170-30A10	3000K	24V DC	10W	1029lm	5m	10m
AQS-170-40A10	4000K	24V DC	10W	1138lm	5m	10m
AQS-170-65A10	6500K	24V DC	10W	1124lm	5m	10m
AQS-170-20A15	2000K	24V DC	15W	1200lm	5m	10m
AQS-170-27A15	2700K	24V DC	15W	1418lm	5m	10m
AQS-170-30A15	3000K	24V DC	15W	1527lm	5m	10m
AQS-170-40A15	4000K	24V DC	15W	1690lm	5m	10m
AQS-170-65A15	6500K	24V DC	15W	1672lm	5m	10m

Accessories

AQS-170-ACC-01
Fast Connectors



AQS-170-ACC-02
Fast Connect - PCB to 15cm bare wire



AQS-170-ACC-03
Interconnect - PCB to 15cm wire to PCB



COB Strip



AQS Family Reference Table

Product	Type	IP Rating	LED Options	Size mm	Power/m	Application
AQS-170	Cob Strip	IP20	Mono	10mm	10W DC	Internal / Profile required
AQS-172	Cob Strip	IP20	Mono	4mm	5W DC	Internal / Profile required
AQS-400	Neon Flex	IP65	Mono	10 x 9	5W DC / 10W DC	External / No profile required
AQS-401	Neon Flex	IP65	Mono	10 x 10	10W DC	External / No profile required
AQS-402	Neon Flex	IP67	Mono	6 x 12	10W DC	External / No profile required
AQS-410	Neon Flex	IP65	RGB	13 x 12	10W DC	External / No profile required
AQS-420	Neon Flex	IP65	Mono / RGBW	12 x 20	10W / 15W	External / No profile required
AQS-500	Neon Flex	IP68	Mono / RGB / RGBW / DMX	11.5 x 21	5W / 8W / 12W / 18W	External / Submerged / No profile
AQS-505	Neon Flex	IP68	Mono	13.5 x 13.5	10W	External / Submerged / No profile
AQS-510	Neon Flex	IP68	Mono / RGB / RGBW / DMX	16.5 x 16.5	10W / 13W / 17W / 18W	External / Submerged / No profile

Extension Wire Recommendations

Maximum extension wire length according to light power

Watts	22AWG 0.34mm ²	20AWG 0.53mm ²	18AWG 0.82mm ²	17AWG 1.04mm ²	16AWG 1.38mm ²	14AWG 2.07mm ²	12AWG 3.29mm ²	10AWG 5.62mm ²
10W	36m	60m	100m	120m	140m	240m	400m	600m
20W	18m	30m	50m	60m	70m	120m	200m	300m
30W	12m	20m	30m	38m	45m	80m	130m	200m
40W	8m	15m	22m	28m	35m	60m	95m	140m
50W	6m	12m	18m	22m	28m	48m	75m	105m
60W	5m	10m	15m	18m	22m	36m	60m	88m
70W	-	8m	12m	14m	18m	30m	50m	72m
80W	-	6m	10m	11m	14m	24m	40m	58m
90W	-	4m	7m	8m	10m	18m	30m	45m
100W	-	-	5m	6m	7m	12m	22m	32m
110W	-	-	3m	4m	5m	8m	15m	22m
120W	-	-	2m	2.5m	3m	0m	8m	12m