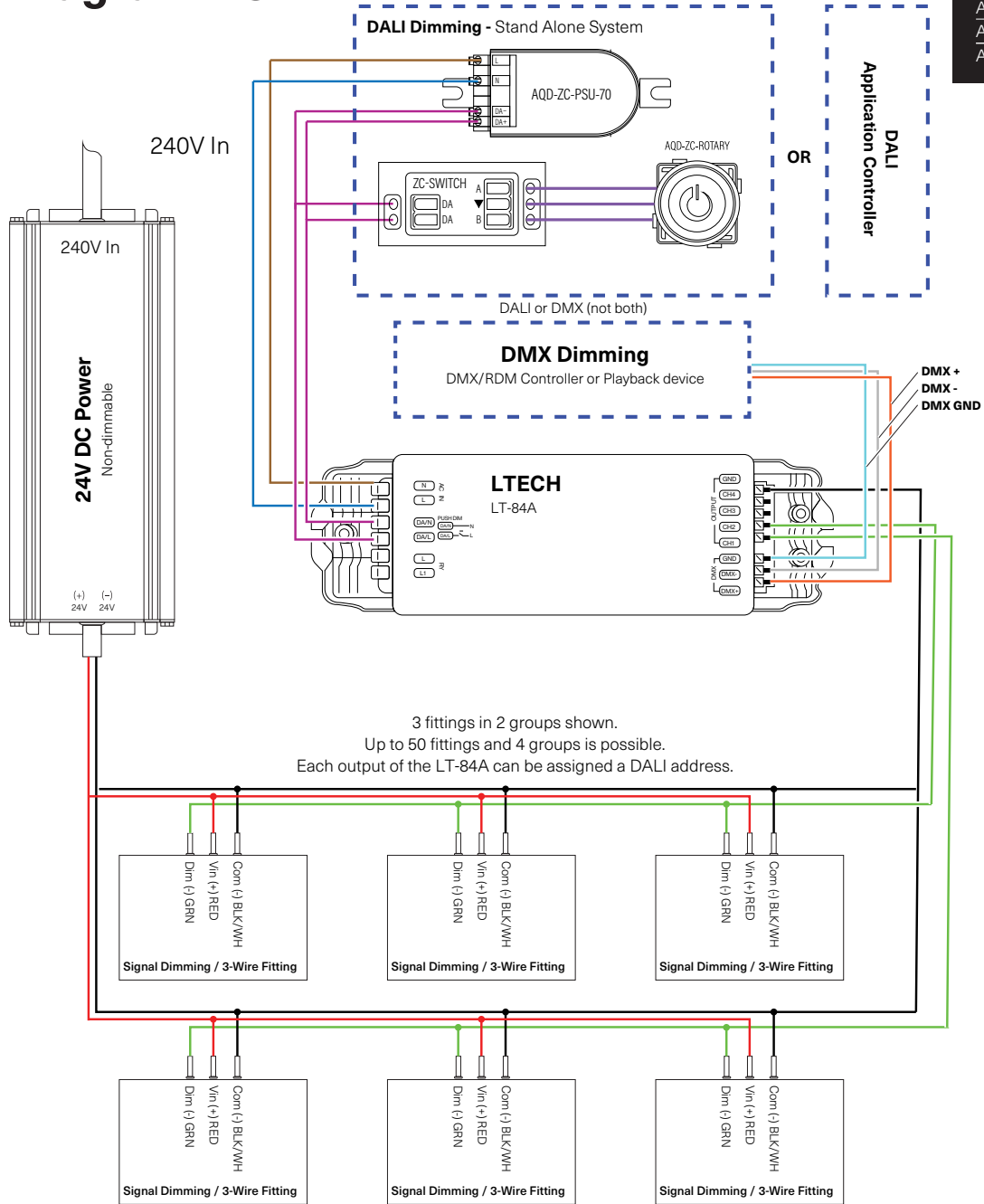


Wiring Diagram #3

Aqualux Codes
AQD24-040
AQD24-100
AQD24-240
AQD-400-LT84A



Dali dimming for mono fittings with 3 wire cable.

Additional Notes

The LT-84A has replaced the DAP-04 interface module from mid-2024. This unit provides for either DALI or DMX and is more reliable than the DAP-04. Additionally, it can control up to 4 output groups / DALI address zones. In the above example, only 2 groups are shown for illustration purposes. Note that a non-dimmable 24V PSU is utilised.