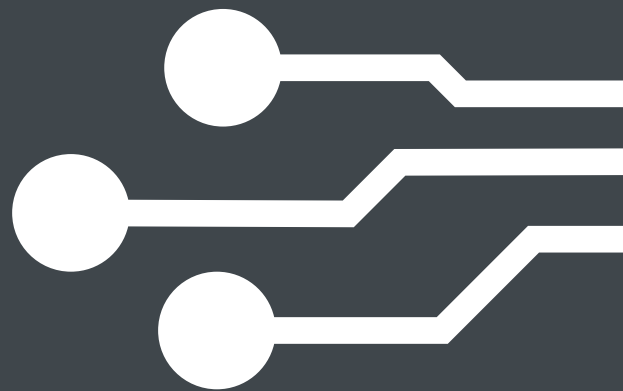


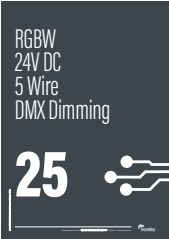
RGBW
24V DC
5 Wire
DMX Dimming

25



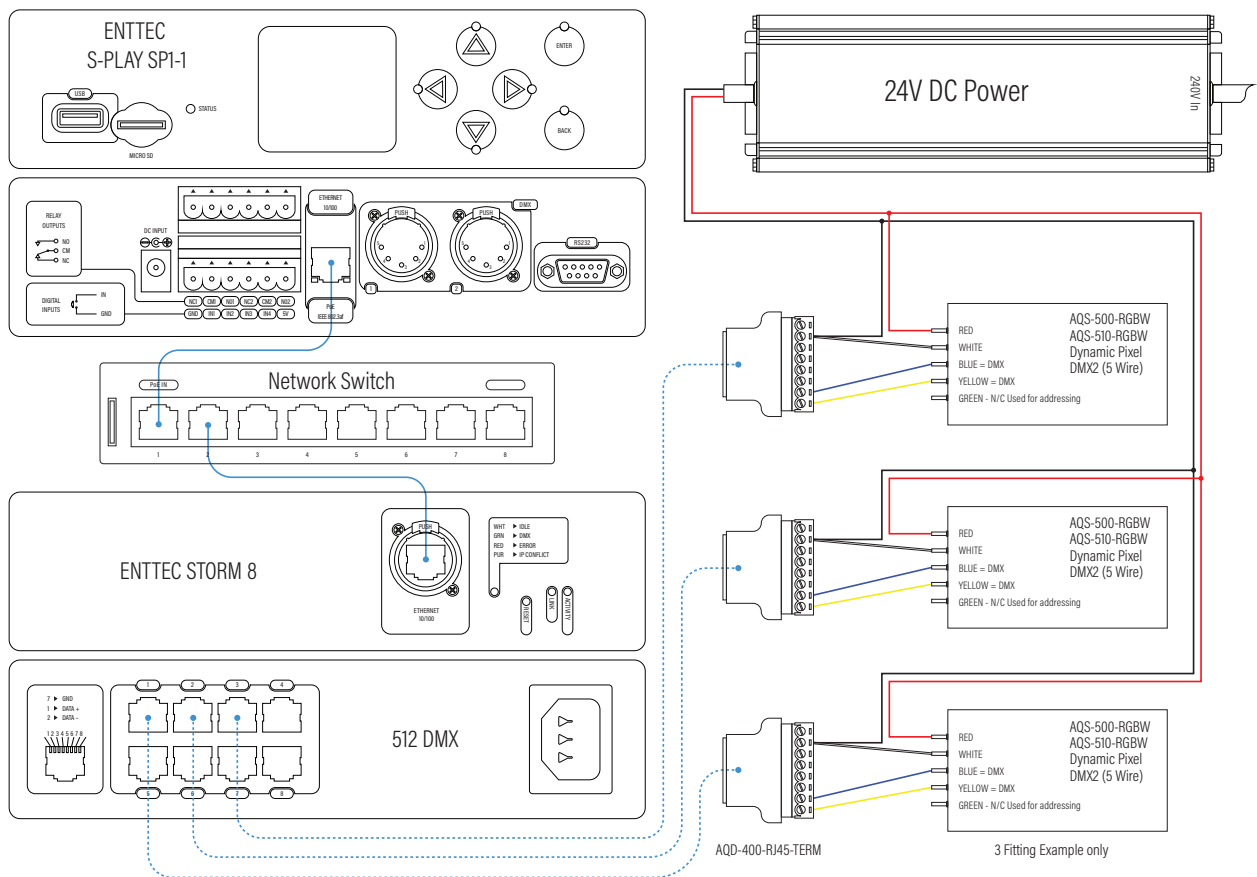
RGBW - 24V DC - 5 Wire Dynamic Pixel DMX Dimming

Wiring Diagram



Aqualux Codes

AQD24-040
AQD24-100
AQD24-240
AQD-400-ENT-Splay1
AQD-400-ENT-Storm8
AQD-400-RJ45-Term



Setup allows for app control, calendar scene triggers, operation from control systems and scene triggering from external sources. 18 Universes of DMX per S-Play Unit (Multiple units can be used for larger installations). 8 and 24 port Storm units available. Max 8m strip run for single end feed and 16m double end feed. Strip is directional (check cable entries and entry and exit tail lengths). Strip is addressable using DMX Writer.