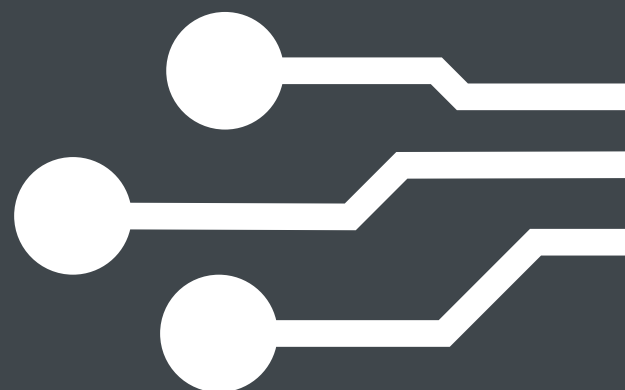
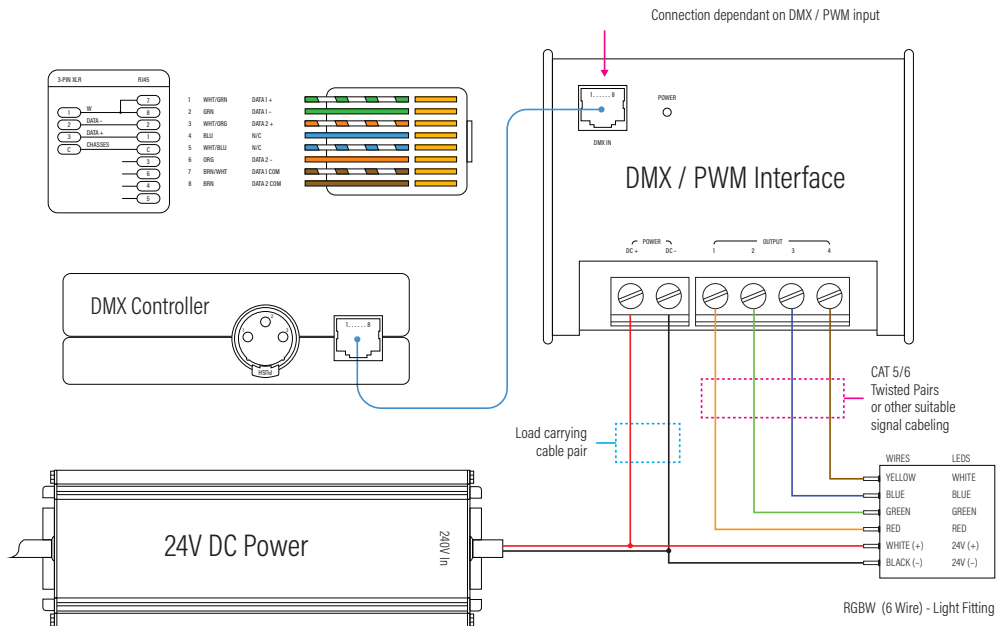


RGBW
24V DC
6 Wire
DMX Dimming

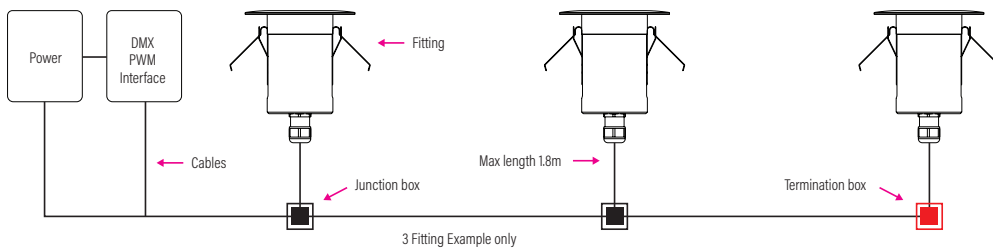
28



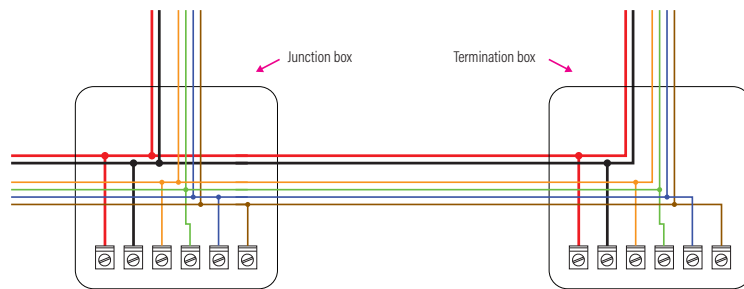
Wiring Diagram



Multiple run diagram with junction boxes and terminator. Observe Local wiring rules. Run length is determined by transformer size, cable size and voltage drop calculations.



Conduit junction box and Termination box diagrams.



Trunk cabling supplied by others. All joins and junction boxes IP67 minimum.