

Aquatran AQD 24VDC Power Transformer Instruction Manual

Part Numbers:
AQD-WPS-040-24-N



Please read through these instructions carefully before commencing installation.

If in doubt please contact place of purchase or Aqualux Lighting direct on **+612 94547900 / sales@aqualux.com.au**

1 | Features

- Wide input voltage with active PFC, rated for full load output
- Ultra-compact design to save on installation space
- Optimized for a harsh working environment
- Isolated design, safe and reliable
- Protections: Overload, Over temperature, Short circuit, Surge
- Full RCM Compliance
- High efficiency up to 87%
- IP67 Rated
- 5 year warranty

Output

Voltage	24V
Current	1.67A (Max)
Power	40W
Ripple Voltage	<120mVp-p
Channel	1
Voltage Tolerance	±2%

Input

Efficiency	87% @ 240VAC
Voltage	220VAC-240VAC
Frequency	50/60Hz
Power Factor	>0.97@230VAC, Full load
THD	≤10%230VAC, Full load
Standby Power	0.3W
Current	0.23Amax@220VAC
Inrush Current	Cold start,16.4A@230VAC 16.8us

Environment

Working Temperature	-40°C~+55°C
Storage Temperature, Humidity	-40°C~85°C, 20-90%RH
TC	90°C
Housing Material	Metal
IP Rating	IP67
Lifetime	50,000h@tc:85°C
Switch Cycle	>25,000 times

Physical

Dimensions	83 * 63 * 33mm (L * W * H)
Net Weight	420gm (including AU plug and output cable)

Protection

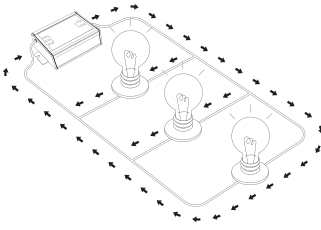
Short Circuit	Close output, recovers automatically after fault removed
Overload	Hiccup recovers after fault condition is removed

Safety & EMC

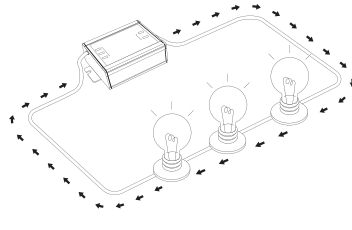
Lighting Strike	L-N 6KV L-PE 10KV N-PE 10KV
Withstand Voltage	I/P-O/P:3750VAC/5mA I/P-PG:1554VAC/5mA O/P-PG:1554VAC/5mA
Safety Standards	EN61347, GB19510
EMC Emission	EN50515, EN61000-3-2
EMC Immunity	EN61000-4-2, 3, 4, 5, 6, 8, 11; EN61547
Safety Approval Mark	GMA-517995-EA

2 | Wiring

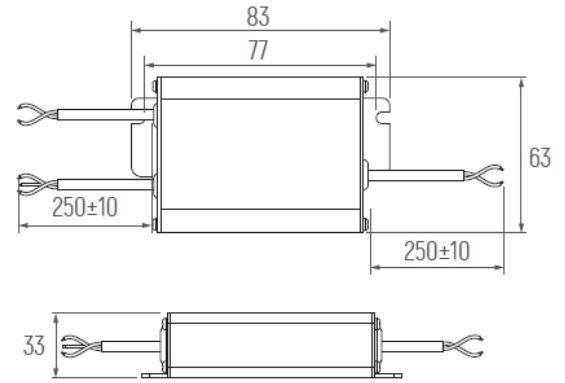
✓ Correct Parallel Wiring



✗ Wrong Series Wiring

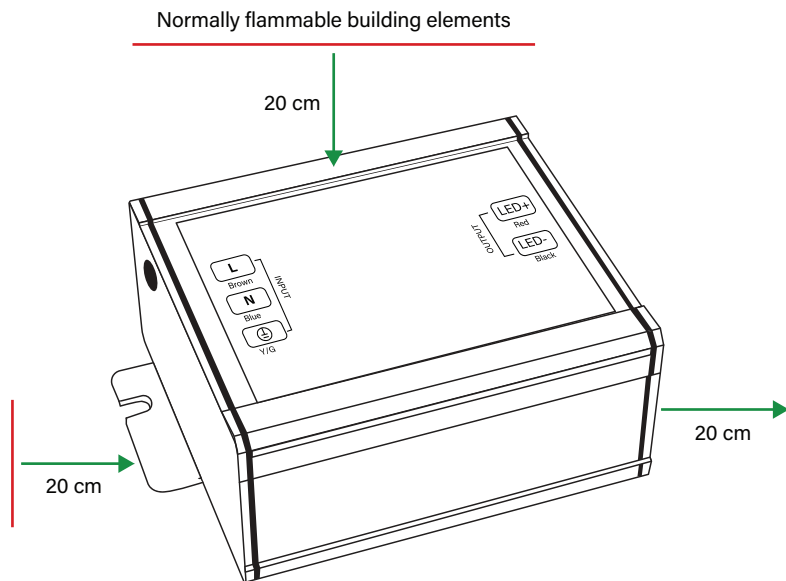


3 | Dimensions



Product Notes

1. If the input plug is removed this product must be installed by a licensed electrician.
2. Check luminaire compatibility prior to installation.
The output voltage and current of the power supply must meet the specifications of your lamps and total load of the circuit.
3. This product is IP67. The 6 indicates "complete protection against dust" as well as "protection against contact with objects greater than 1mm in diameter, such as a wire or a small tool". The 7 indicates the power supply is "protected against short periods of immersion in water while under pressure between 15cm and 1m for no longer than 30 minutes"
4. The driver must be installed in a well ventilated space and must not be covered.
5. Please ensure you have used the correct conductor size for your lamps taking into account distance/load and voltage drop.
6. Make sure all connections are correct and secure before powering up.
7. Do not hot plug LED luminaires. Ensure power supply is OFF when connecting luminaires.
8. If for any reason the unit stops, do not attempt to service it. Contact a licensed electrician.
9. The output or input cable cannot be replaced. If they are damaged the power supply must be scrapped.



Warranty

Telectran / Aqualux warrants this product for a period of 5 years from the date of purchase. These goods come with guarantees that cannot be excluded under the Australian and New Zealand Consumer Laws. You are entitled to a replacement or a refund for a major failure and for compensation for any other reasonably foreseeable loss or damage. You are also entitled to have the goods repaired if the goods fail to be of acceptable quality and the failure does not amount to a major failure.

Customer Service

For all Customer Service and Technical Support please call Monday to Friday during business hours.

Aqualux Lighting / Aquatran Power
0294547900 | sales@aqualux.com.au