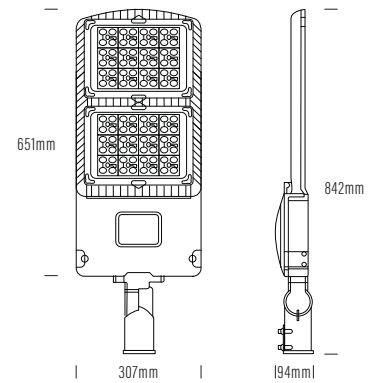


AQL-933-F320

320W Floodlight

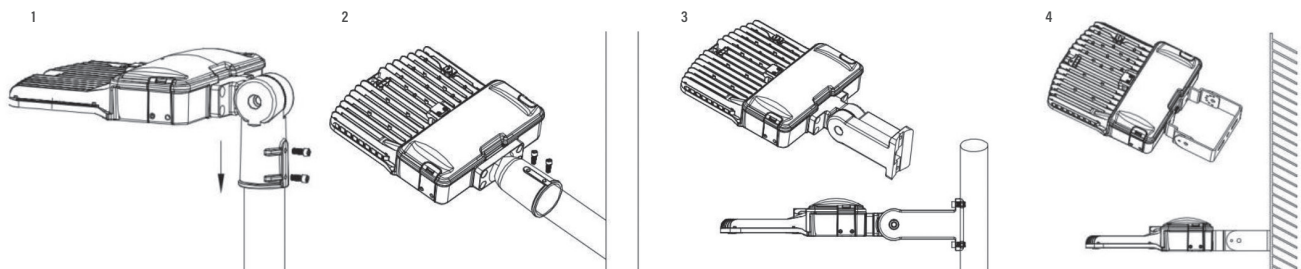


Model	AQL-933-F320
Input Voltage	AC100-277V, 47-63Hz
Power	320W
Power Factor	>0.96
Power efficiency	>90%
Lumens	54,400lm
Lumen Efficiency	170lm/W
CRI	Ra>70
CCT	3000K - 5700K
Beam Angles	30° / 60° / 90° / Type 2M / 3M / 4M
Life Span	50000 hours, @25°C
Construction Material	Aluminum
Lens Material	PC
LED Driver	Inventronics EUM Series
LED Chip	SMD5050
Net Weight	79kg

320W Floodlight

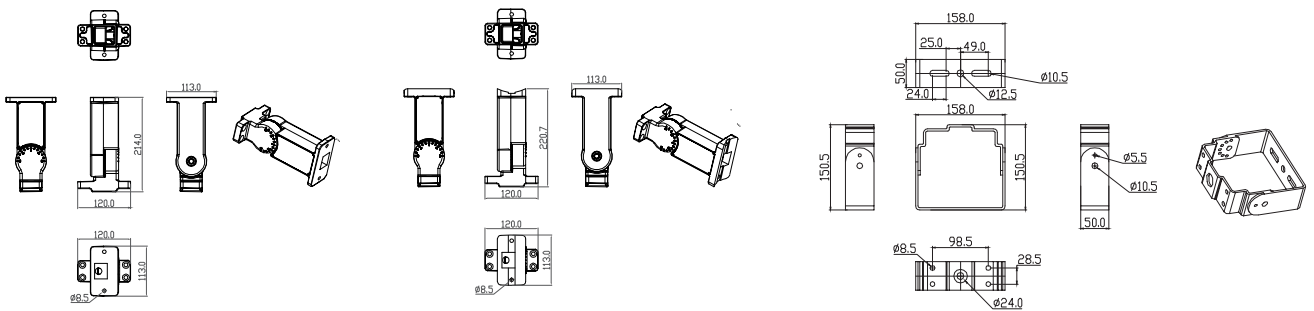
Bracket Options

Mounting Bracket - 4 options available



Accessories

Mounting Brackets



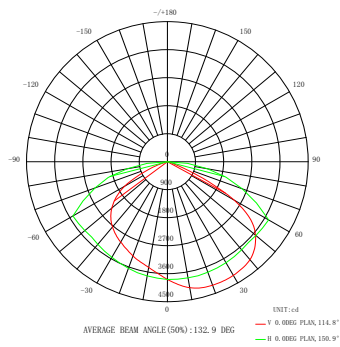
320W Floodlight

Charts

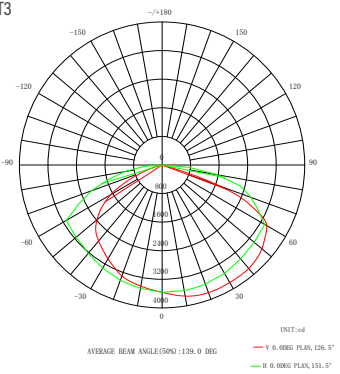
Photometric Charts

Illumination Guide

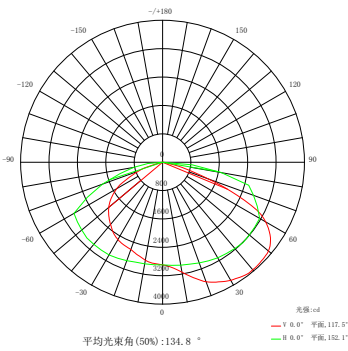
T2



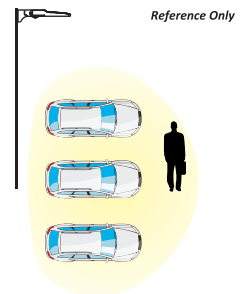
T3



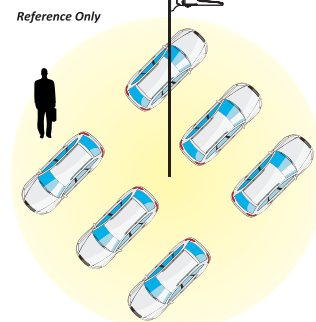
T4



T3



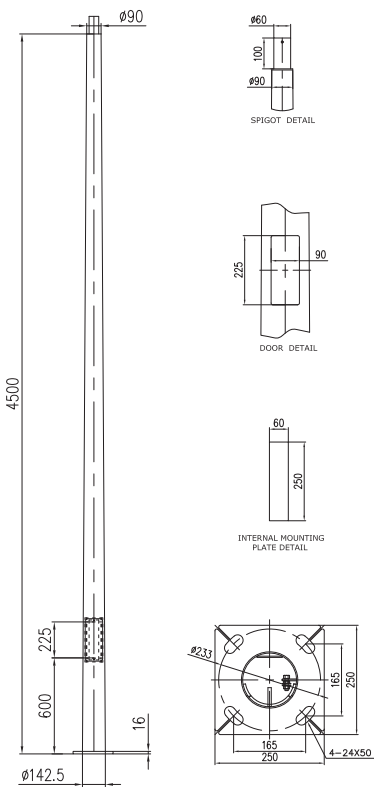
T4



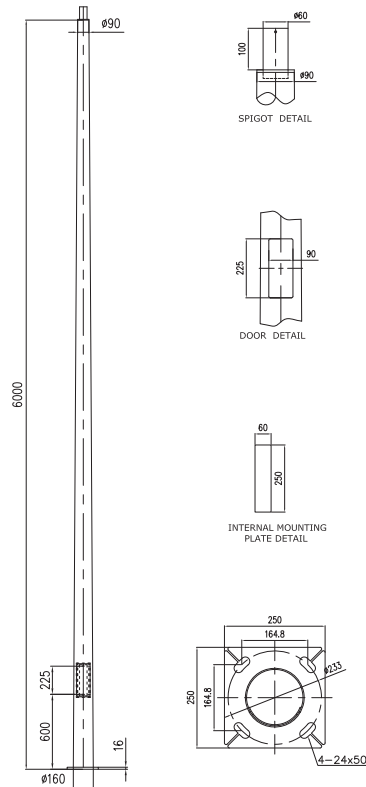
320W Floodlight

Pole Options

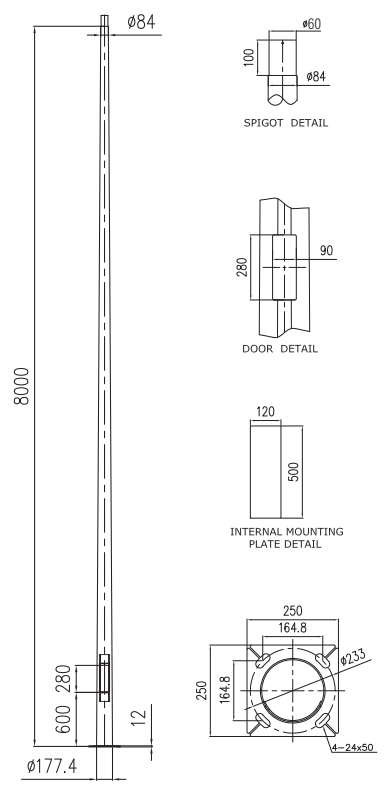
R45-60 / 4.5M 60mm spigot



R6-60 / 6.0M 60mm spigot



R8-60 / 8.0M 60mm spigot



Pile Foundation Guide

Notes:

1. This table is to be used as a guide only. All pile specifications should be confirmed with an appropriately qualified engineer prior to construction.
2. All workmanship and materials shall be in accordance with the current SAA code AS3600 Concrete structures, and AS 2159 Piling - Design and installation with amendments.
3. All concrete to have a minimum characteristic strength of 32MPa or 40MPa where an exposure classification of Moderate is determined in accordance with AS2159 Piling-Design and installation.
4. Minimum clear concrete cover to be 65mm.
5. All concrete shall be place and vibrated to optimum compaction.
6. Pile casings to be used for constructions purposes where required.
7. Engineering advice is to be sort where soils are assessed to be of exposure classifications severe or greater as determined in accordance with AS2159 Piling-Design and installation.
8. Soil classification to be determined by a geotechnical engineer.

