

Installation & Care Instructions

- Thank for purchasing an Aqualux Lighting product.
- Please follow these instructions carefully.
- Your warranty and safety depends on it.
- All wiring must be in accordance with local regulations.
- If a fault or failure occurs, please contact Aqualux to arrange servicing.
- It is recommended to wash the luminaire with fresh water from time to time to stop salt and corrosive elements building up.
- **Do not attempt to service the product.**

YOUR WARRANTY RELIES ON CORRECT INSTALLATION & CARE.

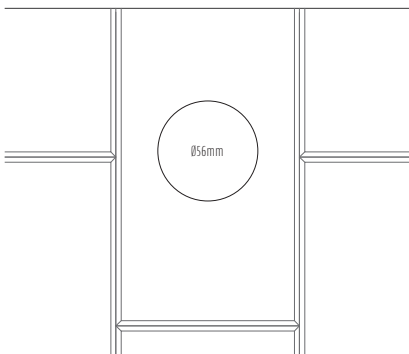
Check product label for correct power requirements.
 Do not connect to mains (240V).
 Do not "hot-plug" lighting fixture - i.e. do not connect to energised power supply.
 Ensure cable termination is fully sealed and all joins are heat-shrunked or encapsulated.
 Ensure cable glands are hand tightened and end caps secured after transit & installation.
 Do not attempt to field service Aqualux fittings without prior instruction.
 Do not look directly at LED light source - it will damage your eyes!
 For surface mount, a bead of silicone between surface and fitting is recommended.
 These notes must be observed for the Aqualux Warranty to apply.

AQL-155 / 24V AC / DC

IP67

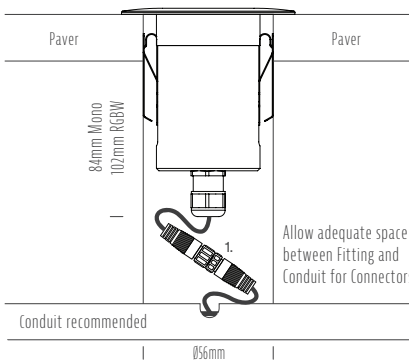


1 Pavers
AQP-09-0016 recommended



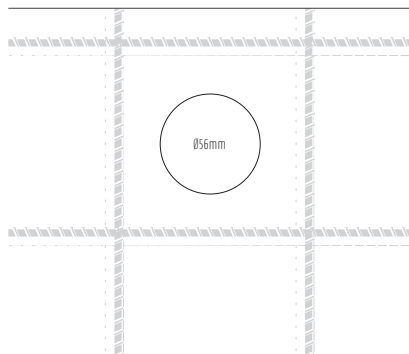
Drill at least 125mm depth and 56mm diameter hole. Use AQP-09-0016.

2 Set light fitting into paver



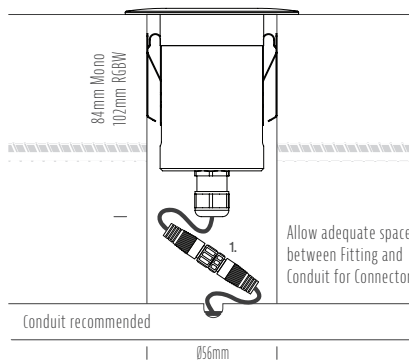
3 Use silicone sealant under dress ring for firm hold on paver.

1 Formed concrete pour, set and fix PVC sleeve AQP-09-0016 recommended



Drill at least 125mm depth and 56mm diameter hole. Use AQP-09-0016.

2 Set light fitting into concrete



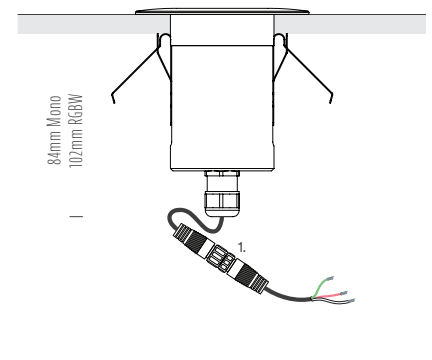
3 Use silicone sealant under dress ring for firm hold on concrete.

1 Timber decking



56mm diameter hole. Allow at least 85mm depth required for light fitting and cable connections. No sleeve required.

2 Set light fitting onto deck



3 Use silicone sealant under dress ring for firm hold on timber deck.

1. Illustration depicts AqualuxPlus cable connectors. AQL-155 and AQL-530 only.

1300 662 644
sales@aqualux.com.au



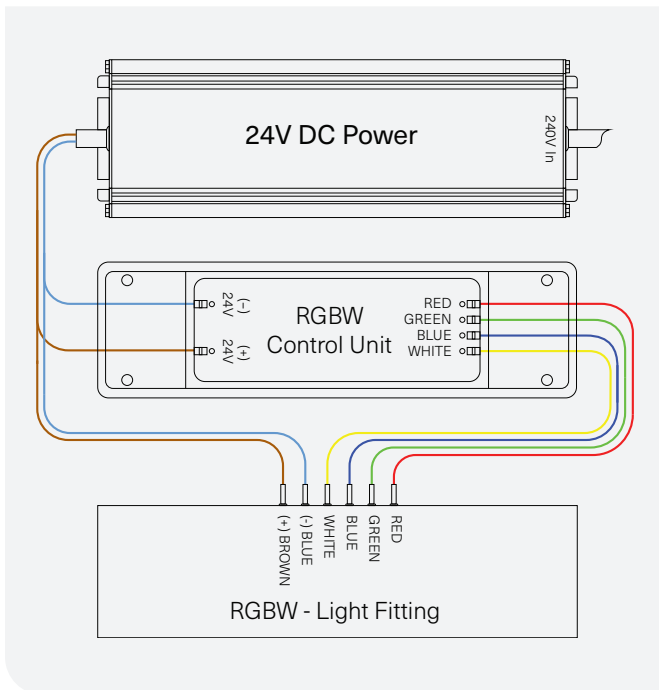
Visit www.aqualux.com.au for: Full product details and available options.
 Order code configuration & customised datasheets. Voltage drop calculator & LED technical information.

Wiring and AqualuxPlus Connect Instructions

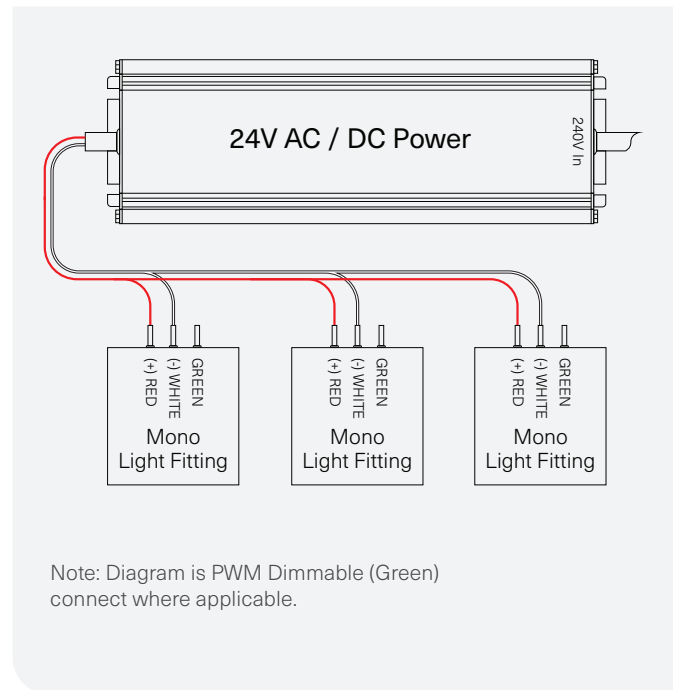
- A waterproof connection must be made using a heavy walled adhesive lined heat shrink, between the supply cable and the fitting.
- **Note: These instructions must not contravene your local electrical authority regulations, with which all installations here in must comply.**

If your fitting has AqualuxPlus connectors, do not remove them. This will void your warranty.
 Male connector is attached to light fitting.
 Female connector can be sent to project ahead of time for pre-installation.

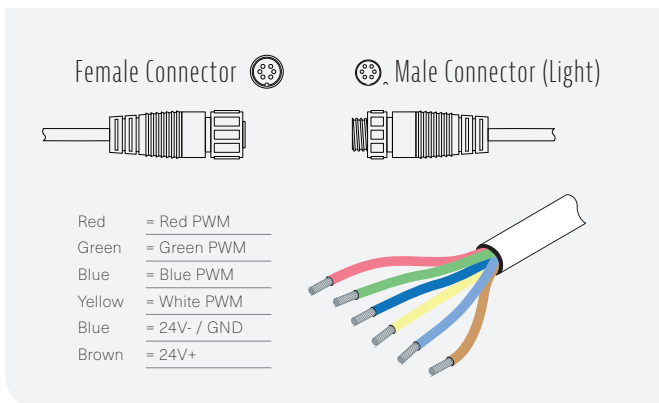
RGBW Wiring



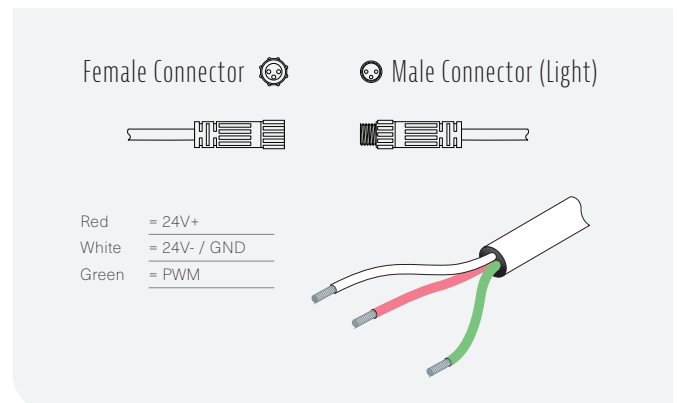
Mono Wiring



M12 6-pin (RGBW) AqualuxPlus Connectors



M8 3-pin (Mono) AqualuxPlus Connectors



What is AqualuxPlus Connector? The M8 and M12 AqualuxPlus IP67 Connectors have been designed to address two key issues facing LED lighting system installations. 1. Water siphoning - minimises the chance of water ingress via cable. 2. Serviceability - quick removal of fitting for servicing. **Note:** It is essential to ensure an IP rated seal at the connection point of the main trunk line with resin lined heatshrink and end caps for all cable joins.

1300 662 644
 sales@aqualux.com.au

