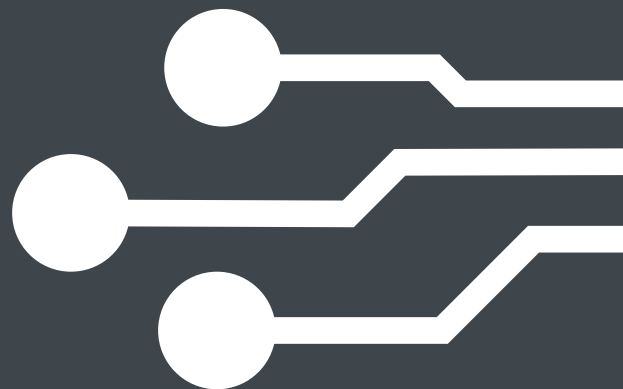


RGBW
24V DC
5 Wire
DMX Dimming

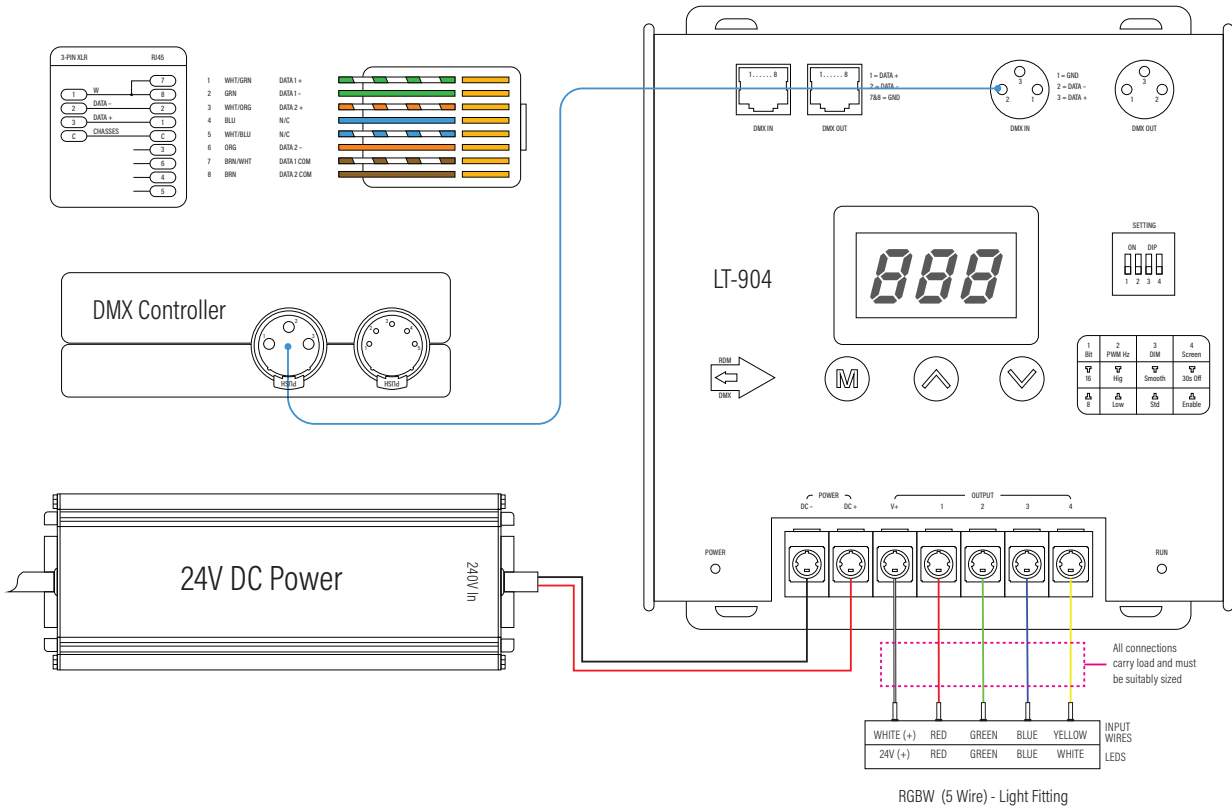
18



Wiring Diagram

Aqualux Codes

AQD24-040
AQD24-100
AQD24-240
AQD-400-LT904
AQD-400-WiFi106



Setup allows for app control (needs to be on a wifi network), calender scene triggers, operation from control systems and scene triggering from external sources. 16 and 32 channel receivers available. Receivers can be daisy chained. Up to 128 individual floods per DMX universe with the appropriate amount of receivers. Up to 2 DMX Universes. Wall Controllers available.

Wire inputs to Fitting	Red	Green	Blue	Yellow	White
AQL-912	Red	Green	Blue	Yellow	White
AQL-913	Red	Green	Blue	Yellow	White
AQS-173	Red	Green	Blue	White	Black
AQS-420	Red	Green	Blue	White	Black
AQS-421	Red	Green	Blue	White	Black
AQS-500	Red	Green	Blue	White	Yellow
AQS-510	Red	Green	Blue	White	Yellow
Fitting LEDs and Voltage Input	Red	Green	Blue	White	V+

5 Wire Fitting