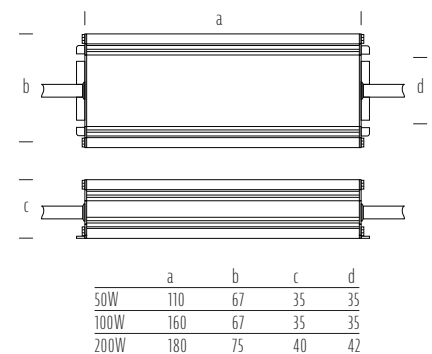


Power Supply



TECHNICAL	
Product Code	AQD-24V DC
Watts	50W / 100W / 200W
Input Voltage	230V AC / 50Hz
Output Voltage	12V DC
Ip Rating	IP67
Approvals	RCM / SAA
Construction	Epoxy Filled Extruded Aluminium
Input Cable	1.8m Flex & Plug
Output Cable	500mm Twin Core
Operating Temp	-20c ~ +40c
Warranty	5 Year Aquatran Warranty



1300 662 644
sales@aqualux.com.au

Visit www.aqualux.com.au for: Full product details and available options. Order code configuration & customised datasheets. Voltage drop calculator & LED technical information.