

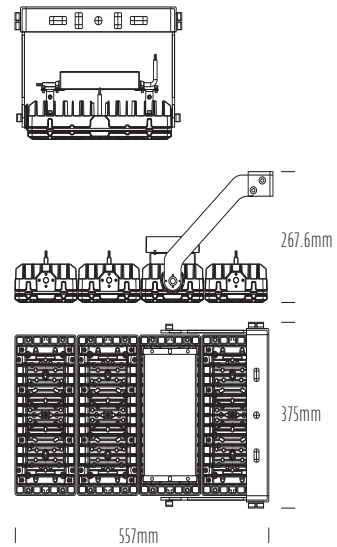
AQL-931-F400

400W Floodlight

SAA  CB  CE  RoHS

IP65
INGRESS
PROTECTION

5y
YEARS
WARRANTY



Product Code	AQL-931-F400
Body	Aluminium + Black Powder Coated
Fasteners	SS304
Efficacy	130Lm/W
Lumens	52,000Lm
Watts	400W
Input Voltage	AC 110-277V (Custom driver options available)
LED Source	Lumileds Luxeon 3030 2D
Beam Angle	15/30/45/60/90/45*85
LED	3000K / 4000K / 5700K / 6500K
CRI	>70
IP Rating	IP65
Warranty	5 Year Aqualux Warranty
Weight	15.1KG
Dimensions	360mm x 557mm x 244mm

ALL SPECIFICATIONS SUBJECT TO CHANGE. COPYRIGHT © 2021 / MKT0065 / 1/10/21