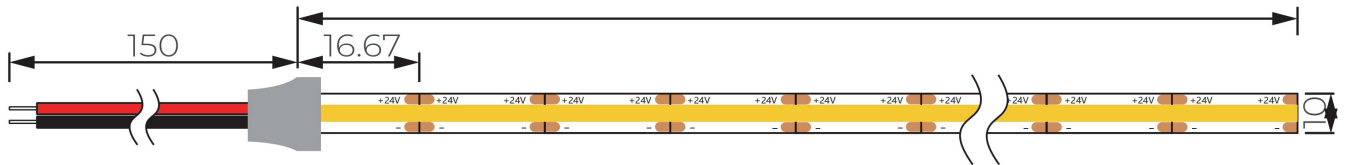


# 24VDC COB Strip - 50M Reels

Cost effective, ready-to-go 50m reels ideal for residential feature lighting



## Features

- COB light source with dot free light.
- LM80 life time > 50000 hours.
- CRI90+ with 3 SDCM color accuracy.
- 16.67mm Cutting interval
- 50m reel + 20 x 1m quick connect tails for rapid onsite cutting and tailing
- Strip includes 3M 300 LSE self adhesive backing for easy application
- Multiple wattages and CCT options

## Product Code

- |                      |                      |
|----------------------|----------------------|
| <b>AQS-174-27A02</b> | <b>AQS-174-30A05</b> |
| <b>AQS-174-27A05</b> | <b>AQS-174-30A10</b> |
| <b>AQS-174-27A10</b> | <b>AQS-174-30A15</b> |
| <b>AQS-174-27A15</b> | <b>AQS-174-40A10</b> |
| <b>AQS-174-30A02</b> | <b>AQS-174-40A15</b> |



## Specifications

Product	AQS-174-27A02	AQS-174-27A05	AQS-174-27A10	AQS-174-27A15	AQS-174-30A02
Description	COB Strip	COB Strip	COB Strip	COB Strip	COB Strip
Voltage	24VDC	24VDC	24VDC	24VDC	24VDC
Wattage	2w	5w	10w	15w	2w
LED/M	480	480	480	480	480
Lumens/M	212	510	1022	1560	228
CCT	2700K	2700K	2700K	2700K	3000K
PCB Width	10mm	10mm	10mm	10mm	10mm
Cut Interval	16.67m	16.67m	16.67m	16.67m	16.67m
IP Rating	IP20	IP20	IP20	IP20	IP20
CRI	90+	90+	90+	90+	90+
Max Run Single Feed	10m	10m	5m	5m	10m
Life Span	50,000 hrs	50,000 hrs	50,000 hrs	50,000 hrs	50,000 hrs
Working Temperature	-20° ~ +40°C	-20° ~ +40°C	-20° ~ +40°C	-20° ~ +40°C	-20° ~ +40°C
Working Humidity	40%-70% RH	40%-70% RH	40%-70% RH	40%-70% RH	40%-70% RH
Warranty	5 Years	5 Years	5 Years	5 Years	5 Years

Product	AQS-174-30A05	AQS-174-30A10	AQS-174-30A15	AQS-174-40A10	AQS-174-40A15
Description	COB Strip	COB Strip	COB Strip	COB Strip	COB Strip
Voltage	24VDC	24VDC	24VDC	24VDC	24VDC
Wattage	5w	10w	15w	10w	15w
LED/M	480	480	480	480	480
Lumens/M	549	1008	1589	1140	1715
CCT	3000K	3000K	3000K	4000K	4000K
PCB Width	10mm	10mm	10mm	10mm	10mm
Cut Interval	16.67m	16.67m	16.67m	16.67m	16.67m
IP Rating	IP20	IP20	IP20	IP20	IP20
CRI	90+	90+	90+	90+	90+
Max Run Single Feed	10m	5m	5m	5m	5m
Life Span	50,000 hrs	50,000 hrs	50,000 hrs	50,000 hrs	50,000 hrs
Working Temperature	-20° ~ +40°C	-20° ~ +40°C	-20° ~ +40°C	-20° ~ +40°C	-20° ~ +40°C
Working Humidity	40%-70% RH	40%-70% RH	40%-70% RH	40%-70% RH	40%-70% RH
Warranty	5 Years	5 Years	5 Years	5 Years	5 Years

## Packing Information

Packing Information	Length (mm)	Width (mm)	Height (mm)	Weight
Individual Box	420	420	50	1.86 kgs

## Compatible Power Supplies

Code	Description	Dimming
AQD24-020	IP20 240VAC input, 24VDC 20W output, IP20, includes 1.2m flex&plug / NON-DIMMABLE	NO
AQD24-030	IP20 240VAC input, 24VDC 30W output, IP20, includes 1.2m flex&plug / NON-DIMMABLE	NO
AQD-WPS-030-24-D	IP67 30W 24VDC Power Supply DALI Dimmable IN: 85-265V OUT: 24VDC 1m AU Flex & Plug	DALI
AQD-WPS-030-24-N	IP67 30W 24VDC Power Supply NON Dimmable IN: 220-240VAC OUT: 24VDC 1.0m AU Flex & Plug	NO
AQD-WPS-030-24-T	IP67 30W 24VDC Power Supply TRIAC Dimmable IN: 85-265V OUT: 24VDC 1m AU Flex & Plug	TRIAC
AQD-WPS-060-24-N	IP67 60W 24VDC Power Supply NON Dimmable IN: 220-240VAC OUT: 24VDC 1.0m AU Flex & Plug	NO
AQD-WPS-100-24-D	IP67 100W 24VDC Power Supply DALI Dimmable IN: 85-265V OUT: 24VDC 1m AU Flex & Plug	DALI
AQD-WPS-100-24-T	IP67 100W 24VDC Power Supply TRIAC Dimmable IN: 85-265V OUT: 24VDC 1m AU Flex & Plug	TRIAC
AQD-WPS-120-24-N	IP67 120W 24VDC Power Supply NON Dimmable IN: 220-240VAC OUT: 24VDC 1.0m AU Flex & Plug	NO
AQD-WPS-150-24-D	IP67 150W 24VDC Power Supply DALI Dimmable IN: 85-265V OUT: 24VDC 1m AU Flex & Plug	DALI
AQD-WPS-240-24-D	IP67 240W 24VDC Power Supply DALI Dimmable IN: 85-265V OUT: 24VDC 1m AU Flex & Plug	DALI
AQD-WPS-240-24-T	IP67 240W 24VDC Power Supply TRIAC Dimmable IN: 85-265V OUT: 24VDC 1m AU Flex & Plug	TRIAC
AQD-WPS-250-24-N	IP67 250W 24VDC Power Supply NON Dimmable IN: 220-240VAC OUT: 24VDC 1.0m AU Flex & Plug	NO

## Installation Instruction

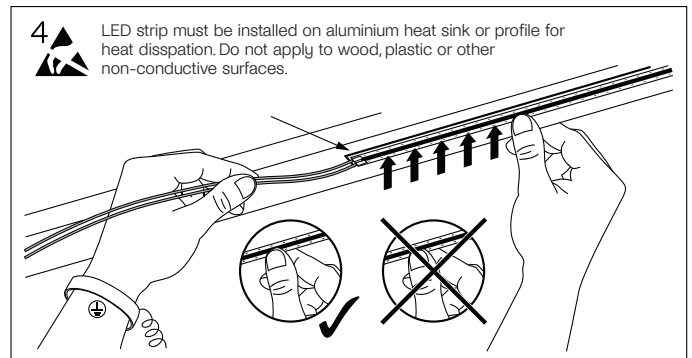
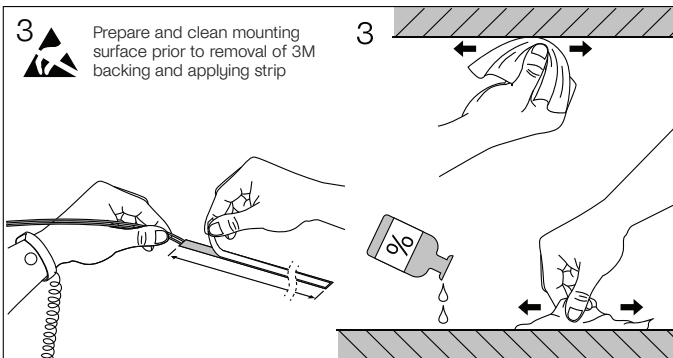
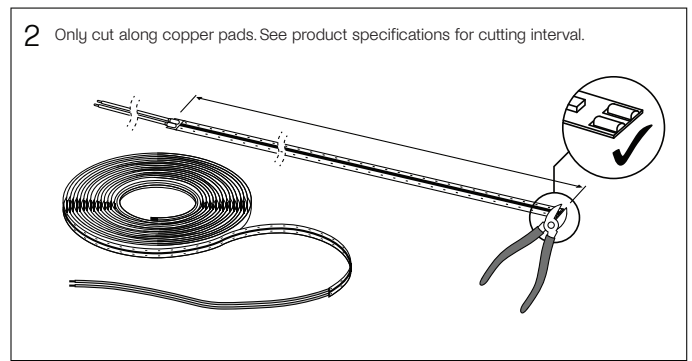
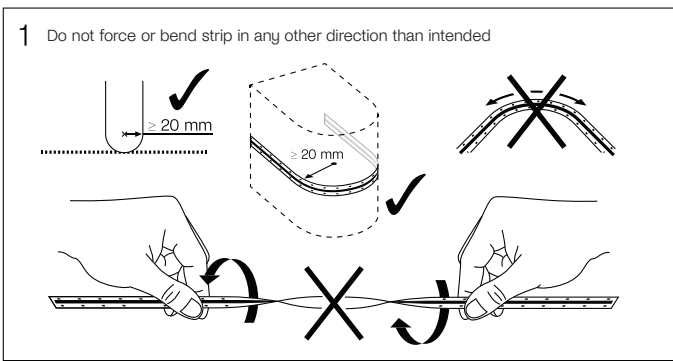
Please read through these instructions carefully before commencing installation.

If in doubt please contact place of purchase or Aqualux Lighting direct on +612 94547900 / sales@aqualux.com.au

Product Code	Description
Input Voltage	24VDC
Wiring	Parallel
Mounting	Aluminium profile or other heatsink
Dimming	Yes depending on power supply. Dimmable power supplies sold separately
Warranty	5 years

## Precautions

- LED Strip must be installed with care.
- Do NOT install where product will be in direct sunlight.
- Do NOT connect to an energized power source i.e. "hot plug".
- Do NOT connect backwards. Polarity must be observed.
- Surface should be cleaned and prepared properly to ensure proper adhesion and thermal connection.
- When cutting LED strip the cutting intervals must be observed. These are showing by the copper pads.
- Do not install IP20 strip in damp or wet locations. Use IP65.
- Do not pull, twist or place excessive force on COB strip or any component.
- Observe minimum bend radius.



Notes: COB Strip should be applied to a heatsink surface for best performance and lifetime

## Input Cable Selection Guide (DC24V)

The maximum length of input cable at different wattage&wire gauges

Product	5W	10W	15W	20W	25W	30W	35W	40W	50W	75W	100W	150W	200W	250W	300W
0.25mm <sup>2</sup>	32.3m	16.1m	10.8m	8.1m	6.5m	5.4m	4.6m	4.0m	3.2m	2.2m	-	-	-	-	-
0.5mm <sup>2</sup>	64.5m	32.3m	21.5m	16.1m	12.9m	10.8m	9.2m	8.1m	6.5m	4.3m	3.2m	2.2m	1.6m	-	-
0.75mm <sup>2</sup>	96.8m	48.4m	32.3m	24.2m	19.4m	16.1m	13.8m	12.1m	9.7m	6.5m	4.8m	3.2m	2.4m	1.9m	-
1mm <sup>2</sup>	129.0m	64.5m	43.0m	32.3m	25.8m	21.5m	18.4m	16.1m	12.9m	8.6m	6.5m	4.3m	3.2m	2.6m	2.2m
1.5mm <sup>2</sup>	193.5m	96.8m	64.5m	48.4m	38.7m	32.3m	27.6m	24.2m	19.4m	12.9m	9.7m	6.5m	4.8m	3.9m	3.2m