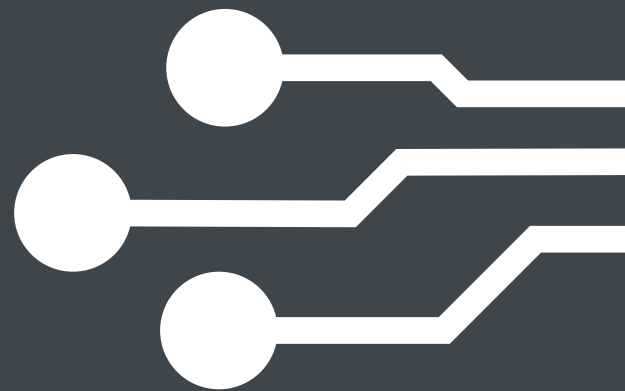


RGBW  
24V DC  
PWM Dimming  
10W - Z0 Code

15

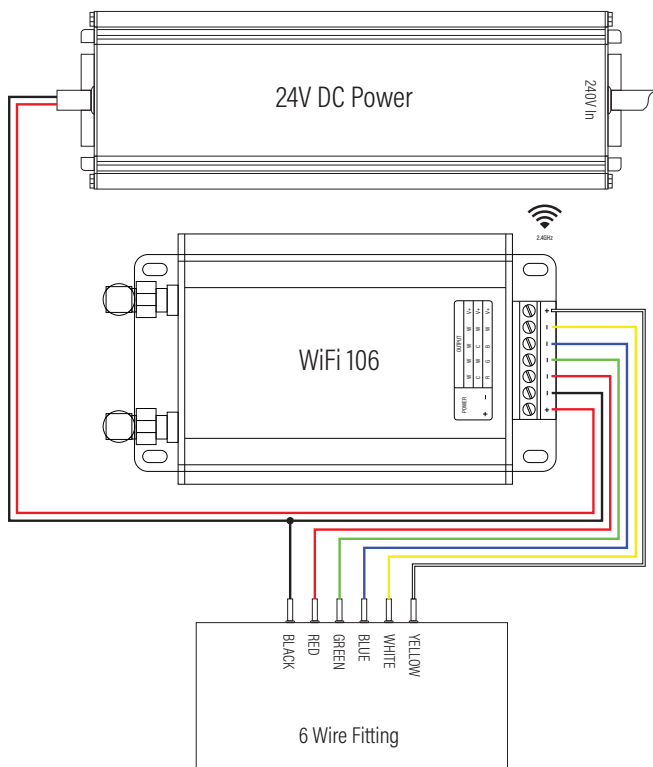
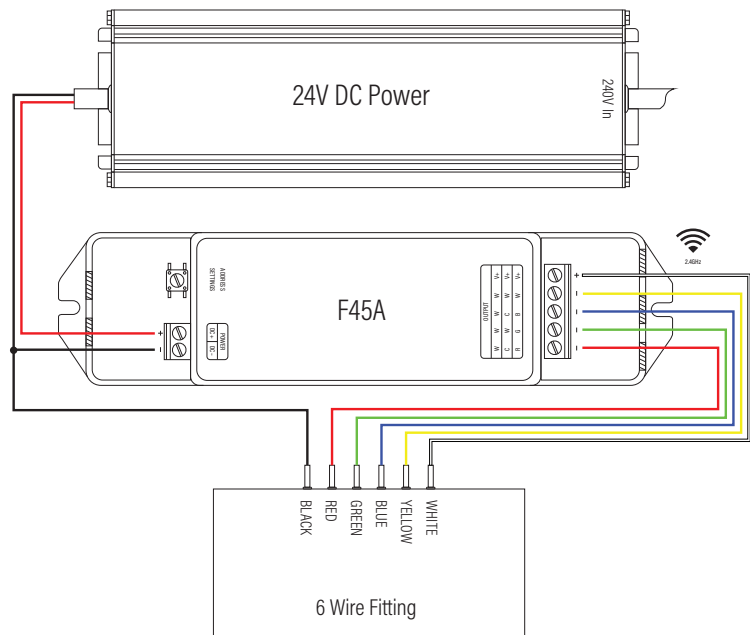


# Wiring Diagram

### Aqualux Codes

AQD24-040
AQD24-100
AQD24-240
AQD-400-F45A
AQD-400-WiFi106

Setup allows for control from mobile or tablet from free Android or iOS app. Wireless wall controllers and hand held remotes are also available to add to the system. Max 480W 4 channel @ 24VDC. Unlimited F45A's can be added to a zone.



Max 384W 4 channel @ 24VDC. Up to 12 Zones can be controlled from each Wifi-106. 16 Wifi-106's can be run on a Wifi network. RF Range 30m (Line of sight) can be extended with the addition of EBOX-AP's (up to 8 AP's). For installations with a load greater than the controller/receiver capacity, the yellow V+ wire can be wired directly to the positive + wire from the power supply which can allow up to 600W using a HLG-600H-24 power supply.