

24VDC COB Kits with Power Supply Included

Cost effective, ready-to-go COB kits ideal for residential feature lighting



Features

- 2m & 5m options
- IP20 & IP65 options
- 3000K & 4000K options
- CRI 90+
- 3 year warranty
- Drivers with 1.2m flex & plug pre-attached for quick and easy installation
- Strip includes 3M 300 LSE self adhesive backing for easy application
- IP65 Strip includes clips for mounting as well as end caps and silicone for sealing after cutting
- IP65 kit includes IP65 driver for complete weather protection
- IP65 Strip - Uses high quality silicone for better flexibility and longevity.

Product Code

- AQS-170-30A05-B-2MKIT-IP20
- AQS-170-30A05-B-5MKIT-IP20
- AQS-170-30A05-B-5MKIT-IP65
- AQS-170-40A05-B-5MKIT-IP20
- AQS-172-30A05-B-5MKIT-IP20
- AQS-172-40A05-B-5MKIT-IP20

Specifications

| Product | AQS-170-30A05-B-2MKIT-IP20 | AQS-170-30A05-B-5MKIT-IP20 | AQS-170-30A05-B-5MKIT-IP65 | AQS-170-40A05-B-5MKIT-IP20 | AQS-172-30A05-B-5MKIT-IP20 | AQS-172-40A05-B-5MKIT-IP20 |
|------------------------|----------------------------|----------------------------|----------------------------|----------------------------|----------------------------|----------------------------|
| Length | 2m | 5m | 5m | 5m | 5m | 5m |
| CCT | 3000K/Warm White | 3000K/Warm White | 3000K/Warm White | 4000K/Neutral White | 3000K/Warm White | 4000K/Neutral White |
| PCB Width | 10mm | 10mm | 10mm | 10mm | 4mm | 4mm |
| PCB height | 2.0mm | 2.0mm | 3.0mm | 2.0mm | 2.0mm | 2.0mm |
| Cutting Interval | 50mm | 50mm | 50mm | 50mm | 31.3mm | 31.3mm |
| Minimum Bend Radius | 20mm | 20mm | 20mm | 20mm | 20mm | 20mm |
| Voltage (COB Strip) | 24VDC | 24VDC | 24VDC | 24VDC | 24VDC | 24VDC |
| Voltage (Power Supply) | 240VAC | 240VAC | 240VAC | 240VAC | 240VAC | 240VAC |
| Watts P/M | 5w/m | 5w/m | 5w/m | 5w/m | 5w/m | 5w/m |
| Lumens P/M | 450 | 450 | 450 | 450 | 520 | 520 |
| LED P/M | 360 | 360 | 360 | 360 | 512 | 512 |

| Product | AQS-170-30A05-B-2MKIT-IP20 | AQS-170-30A05-B-5MKIT-IP20 | AQS-170-30A05-B-5MKIT-IP65 | AQS-170-40A05-B-5MKIT-IP20 | AQS-172-30A05-B-5MKIT-IP20 | AQS-172-40A05-B-5MKIT-IP20 |
|-----------------------|----------------------------|----------------------------|--|----------------------------|----------------------------|----------------------------|
| Dimmable* | No | No | No | No | No | No |
| IP Rating | IP20 | IP20 | IP65 | IP20 | IP20 | IP20 |
| CRI | 90+ | 90+ | 90+ | 90+ | 90+ | 90+ |
| Power Supply | AQD24-020 | AQD24-030 | AQD-WPS-040-24-N | AQD24-030 | AQD24-030 | AQD24-030 |
| Accessories Included | 2 x 1m Tails | 2 x 1m Tails | 2 x End Caps, 25 x Mounting Clips, 1 x Silicone Tube | 2 x 1m Tails | 2 x 1m Tails | 2 x 1m Tails |
| Lumen Maintenance | 50,000 Hours L70 @ 30°C | 50,000 Hours L70 @ 30°C | 50,000 Hours L70 @ 30°C | 50,000 Hours L70 @ 30°C | 50,000 Hours L70 @ 30°C | 50,000 Hours L70 @ 30°C |
| 3M Adhesive Backing | 3M 300 LSE | 3M 300 LSE | 3M 300 LSE | 3M 300 LSE | 3M 300 LSE | 3M 300 LSE |
| Operating Temperature | -20° to +40°C | -20° to +40°C | -20° to +40°C | -20° to +40°C | -20° to +40°C | -20° to +40°C |
| Warranty | 3 Years | 3 Years | 3 Years | 3 Years | 3 Years | 3 Years |

* COB Strip is dimmable with other power supplies (sold separately)

Installation Instruction

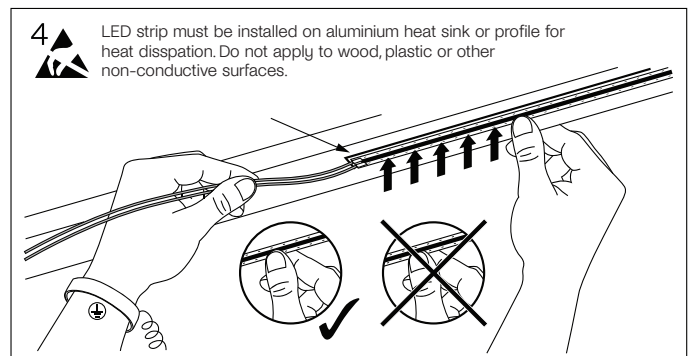
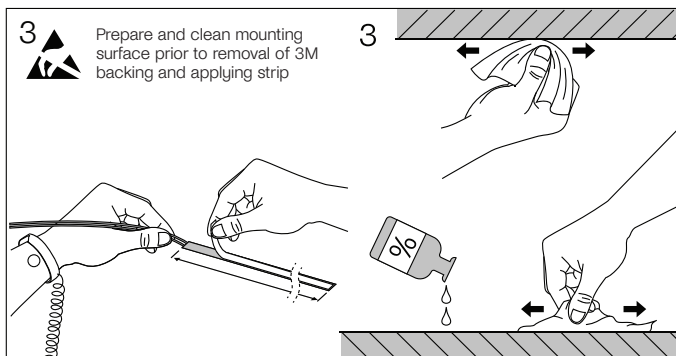
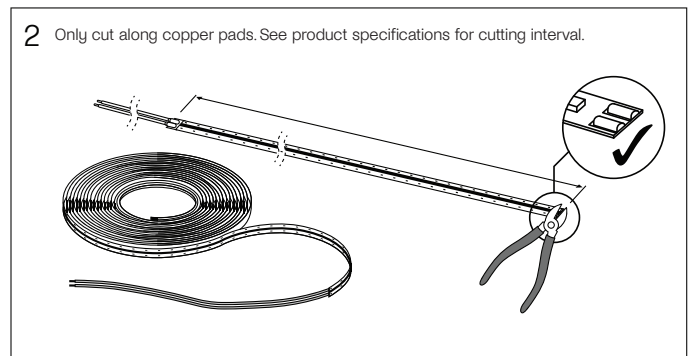
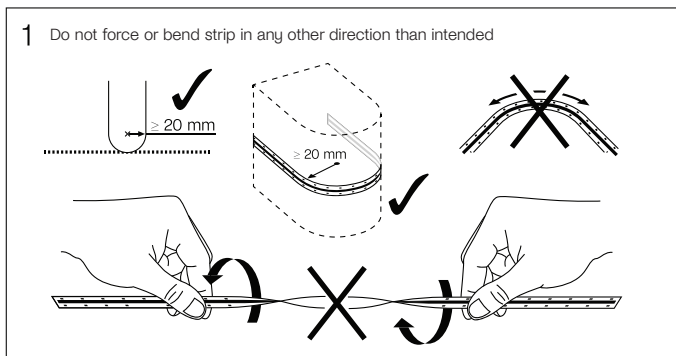
Please read through these instructions carefully before commencing installation.

If in doubt please contact place of purchase or Aqualux Lighting direct on +612 94547900 / sales@aqualux.com.au

| Product Code | Description |
|---------------|---|
| Input Voltage | 24VDC |
| Wiring | Parallel |
| Mounting | Aluminium profile or other heatsink |
| Dimming | Yes depending on power supply. Dimmable power supplies sold separately |
| Warranty | 3 years |

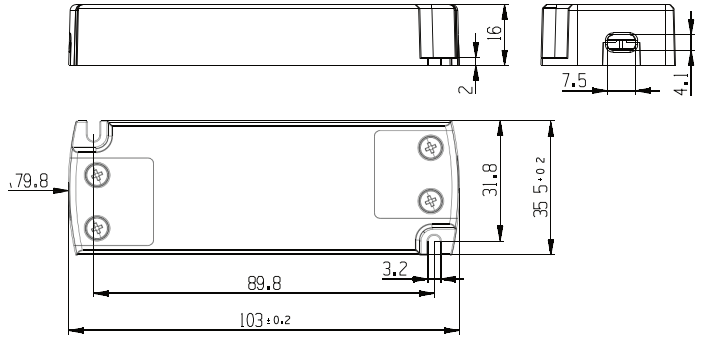
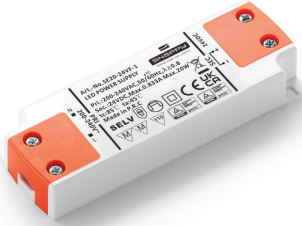
Precautions

- LED Strip must be installed with care.
- Do NOT install where product will be in direct sunlight.
- Do NOT connect to an energized power source i.e. "hot plug".
- Do NOT connect backwards. Polarity must be observed.
- Surface should be cleaned and prepared properly to ensure proper adhesion and thermal connection.
- When cutting LED strip the cutting intervals must be observed. These are showing by the copper pads.
- Do not install IP20 strip in damp or wet locations. Use IP65.
- Do not pull, twist or place excessive force on COB strip or any component.
- Observe minimum bend radius.



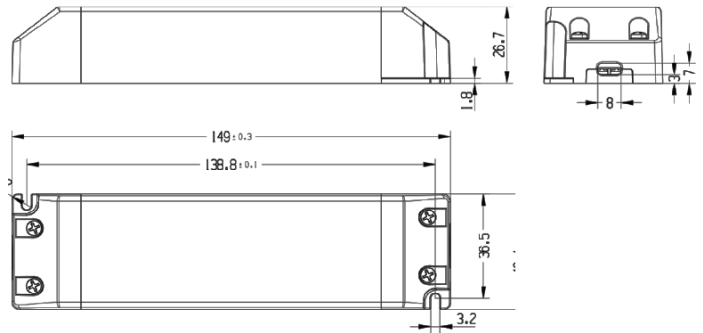
Notes: COB Strip should be applied to a heatsink surface for best performance and lifetime

COB Strip Power Supplies

AQD24-020


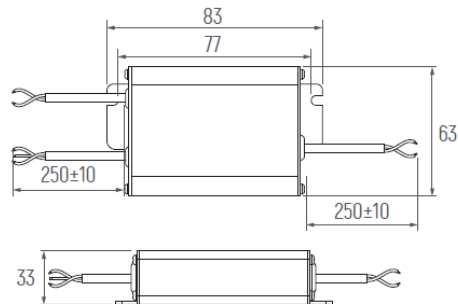
| Input | Output | IP | Wattage | Operating Temp | Length (mm) | Width (mm) | Height (mm) |
|--------|--------|----|---------|----------------|-------------|------------|-------------|
| 240VAC | 24VDC | 20 | 20 | -20° ~ 45° | 103 | 36 | 16 |

Dimensions do not include input & output cables

AQD24-030


| Input | Output | IP | Wattage | Operating Temp | Length (mm) | Width (mm) | Height (mm) |
|--------|--------|----|---------|----------------|-------------|------------|-------------|
| 240VAC | 24VDC | 20 | 30 | -20° ~ 45° | 149 | 41 | 27 |

Dimensions do not include input & output cables

AQD-WPS-040-24-N


| Input | Output | IP | Wattage | Operating Temp | Length (mm) | Width (mm) | Height (mm) |
|--------|--------|----|---------|----------------|-------------|------------|-------------|
| 240VAC | 24VDC | 65 | 40 | -40° ~ 55° | 83 | 63 | 33 |

Dimensions do not include input & output cables